

KLEIN®

Sistema de puertas correderas con detención suave
Sliding doors with soft closing system
Système de porte coulissantes avec freinage contrôlé
Schiebetürsystem mit sanftem Schließen



UNIKGLASS+

Interiorismo Vidrio
Interior Design Glass
Décoration d'Intérieur Verre
Innenarchitektur Glas



BRONZE



BLACK



KBS



KSC



SILVER

ESP

Unikglass+: un perfil de sobrio diseño guía una única hoja móvil de vidrio. Puede esconderse en falso techo para un efecto absolutamente minimalista. Es un sistema libre de marco y sin barrera arquitectónica en el pavimento. Permite un montaje fácil, totalmente intuitivo.

- Perfil visto u oculto, instalado a pared, techo y falso techo, con o sin dintel.
- Perfil especial para falso techo, con aletas escondidas para una máxima integración arquitectónica.
- Nueva mordaza: centraliza todas las prestaciones del sistema: regulación en altura, activación del mecanismo de frenado, y dispositivo antidescargamiento.
- Montaje rápido e intuitivo:
 - Acceso directo a la mordaza.
 - Sistema empotrado a falso techo: montaje en dos fases para una instalación eficiente.
- Vidrio de 8, 10 o 12 mm, hasta 150 kg por hoja.
- Regulación de la altura de +/- 3 mm.*
- Perfil de aluminio anodizado Silver, Negro y Bronce.
- Deslizamiento silencioso con mínimo esfuerzo.
- Garantía KLEIN® 5 años.
- Opciones de frenado de la puerta:
 - **KSC, Klein Soft Closing:** Detención suave controlada.
 - **KBS, Klein Brake System:** Tope con freno amortiguador. De serie en toda la gama.*

ENG

Unikglass+: a discrete profile guides a single mobile glass pane. It can be hidden in a drop ceiling for a completely minimalist effect. This system does not have any tracks or other architectural barriers on the floor. It allows for an easy and completely intuitive assembly.

- Exposed or hidden profile, installed on a wall, ceiling, or in a drop ceiling, with or without a lintel.
- Special profile with hidden dropped ceiling wings for maximum architectural integration.
- A new clamp which centralises all features of the system: height adjustment, activation of the braking mechanism, and anti-derailing device.
- Fast and intuitive assembly for efficient implementation:
 - Direct access to the clamp.
 - System embedded in drop ceiling: two-phase assembly for easy installation.
- 8, 10 or 12 mm glass, weighing up to 150 kg per pane.
- Height adjustment of +/- 3 mm.*
- Silver, Black and Bronze anodized aluminum profiles.
- Silent and effortless sliding.
- Five-year KLEIN® warranty.
- Self closing options:
 - **KSC, Klein Soft Closing:** Smooth, controlled closing.
 - **KBS, Klein Brake System:** Stop with damper brake. Standard for the entire line.*

*Válido para los productos UNIKGLASS+ 50 y 100 /
Valid for UNIKGLASS+ 50 and 100

FRA

Unikglass+: ce système au design épuré guide un seul vantail vitré mobile. Il peut être dissimulé dans un faux plafond pour un rendu minimaliste. Il s'agit d'un système sans cadres et sans rail au sol. Il permet un montage facile et intuitif.

- Rail spécial pour faux plafond, à ailettes cachées pour une absolue intégration architecturale.
- Nouvelle pince de serrage, centralisatrice de toutes les prestations du système: réglage en hauteur, activation du mécanisme de freinage, et dispositif antidéraillement.
- Montage rapide et intuitif pour une mise en place efficace:
 - Accès direct à la pince de serrage.
 - Système encastré dans le faux plafond : montage en deux étapes pour une installation aisée.
- Verre de 8, 10 ou 12 mm, jusqu'à 150 kg par vantail coulissant.
- Réglage en hauteur de +/- 3 mm.*
- Rail en aluminium anodisé Silver, Noir ou Bronze.
- Coulisement silencieux et sans efforts.
- Garantie KLEIN® 5 ans.
- Options de freinage de la porte:
 - **KSC, Klein Soft Closing:** Freinage contrôlé en douceur.
 - **KBS, Klein Brake System:** Butée avec frein amortisseur. Prestation standard sur toute la gamme.*

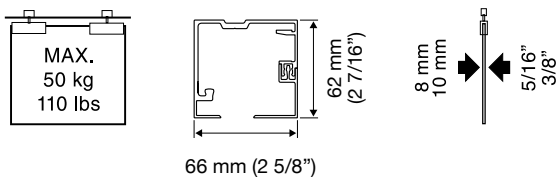
*Valable pour UNIKGLASS+ 50 et 100 /
Gültig für UNIKGLASS+ 50 und 100

DEU

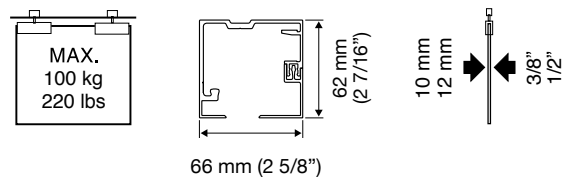
Unikglass+: Ein schlicht gestaltetes Profil dient als Führung für eine einzige bewegliche Glasscheibe. Die Führung kann auch in einer Zwischendecke verborgen werden, so dass der Raum absolut minimalistisch wirkt. Dieses System ist rahmenlos und es gibt keine architektonische Barriere auf dem Boden. Die Montage ist einfach und sehr intuitiv.

- Profil sichtbar oder verborgen, Montage an der Wand, an der Decke oder in einer Zwischendecke, mit oder ohne Türsturz.
- Spezialprofil für Zwischendecken, mit verborgenen Flügeln für eine maximale architektonische Integration.
- Neue Führungsbacken: hier sind alle Funktionen zentralisiert: Höheneinstellung, Aktivieren des Bremsmechanismus und Aushängeschutz.
- Schnelle und intuitive Montage:
 - Direkter Zugriff auf die Führungsbacken.
 - System für den Einbau in Zwischendecke: Montage in zwei Phasen für den einfachen Einbau.
- 8, 10 oder 12 mm Gläser mit einem Gewicht von bis zu 150 kg pro Türflügel.
- Höheneinstellung +/- 3 mm.*
- Profil aus eloxiertem Aluminium Silver, Schwarz und Bronze.
- Geräuschloses Gleiten mit minimalem Kraftaufwand.
- Garantie von KLEIN® 5 Jahre.
- Optionen für das Bremssystem der Tür:
 - **KSC, Klein Soft Closing:** sanftes, kontrolliertes Bremsen.
 - **KBS, Klein Brake System:** Anschlag mit stoßdämpfender Bremse. Serienmäßige Ausstattung im gesamten Sortiment.*

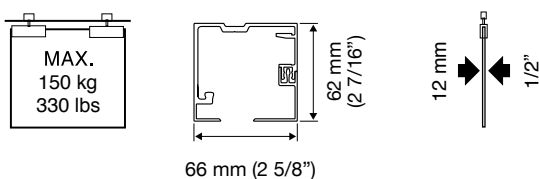
UNIKGLASS+ 50



UNIKGLASS+ 100



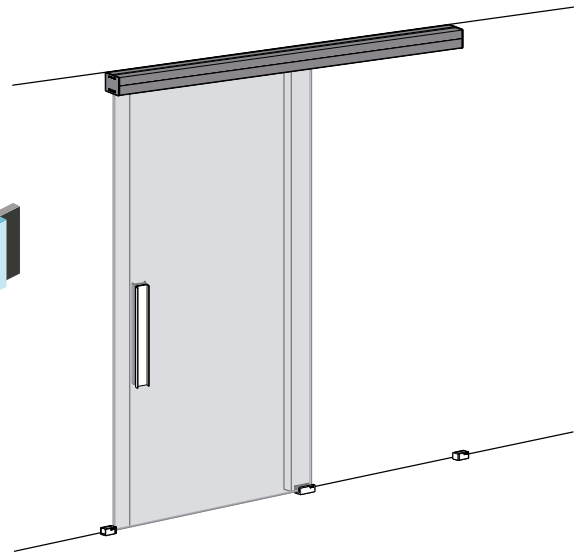
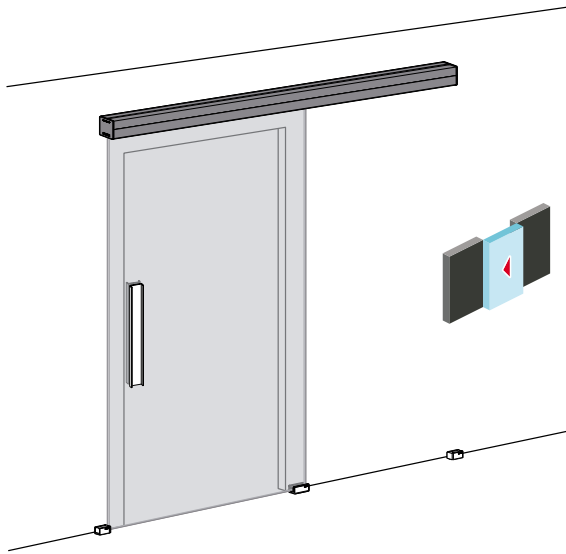
UNIKGLASS+ 150



Visto / Exposed / En applique / Sichtbar

PARED / WALL / MURAL / WAND

TECHO / CEILING / PLAFOND / DECKE

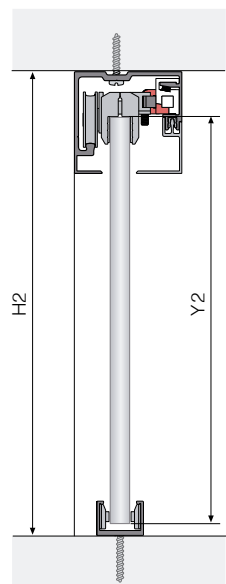
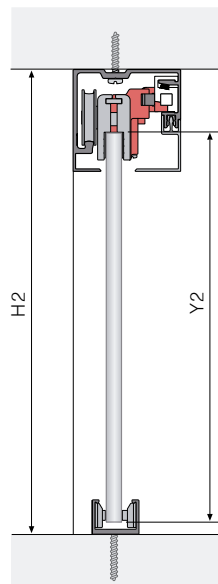
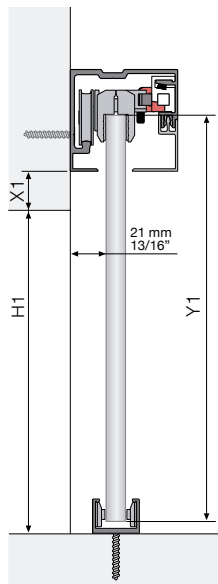
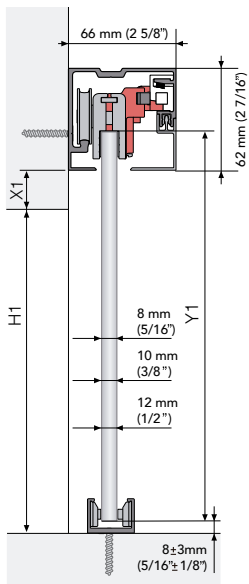


UNIKGLASS+ 50/100

UNIKGLASS+ 150

UNIKGLASS+ 50/100

UNIKGLASS+ 150

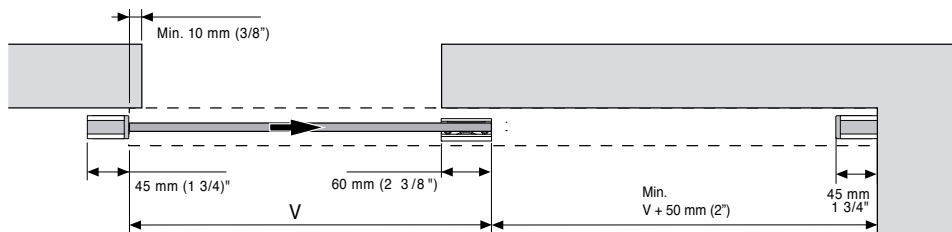


$Y1 = H1 + X1 + 16 \text{ mm (5/8")}$

$Y1 = H1 + X1 + 27 \text{ mm (1 1/16")}$

$Y2 = H2 - 47 \text{ mm (1 13/16")}$

$Y2 = H2 - 35 \text{ mm (1 3/8")}$



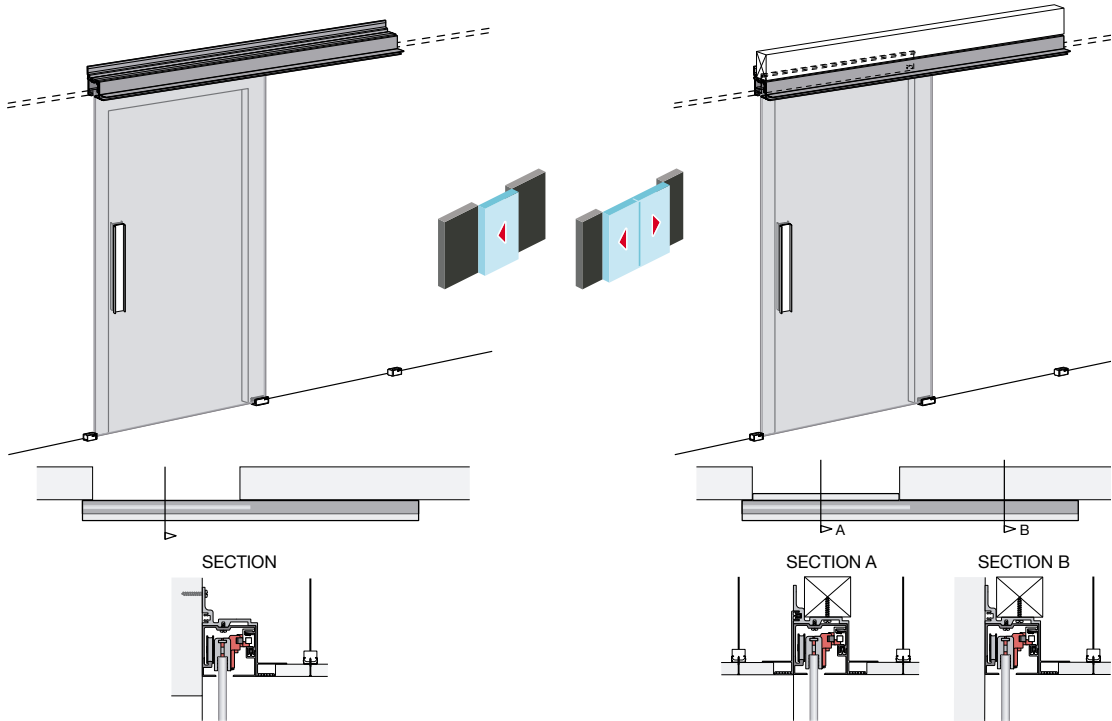
KSC Unikglass+ 50/100V ≥ 800 mm (31 1/2")

KSC Unikglass+ 150 V ≥ 1000 mm (39")

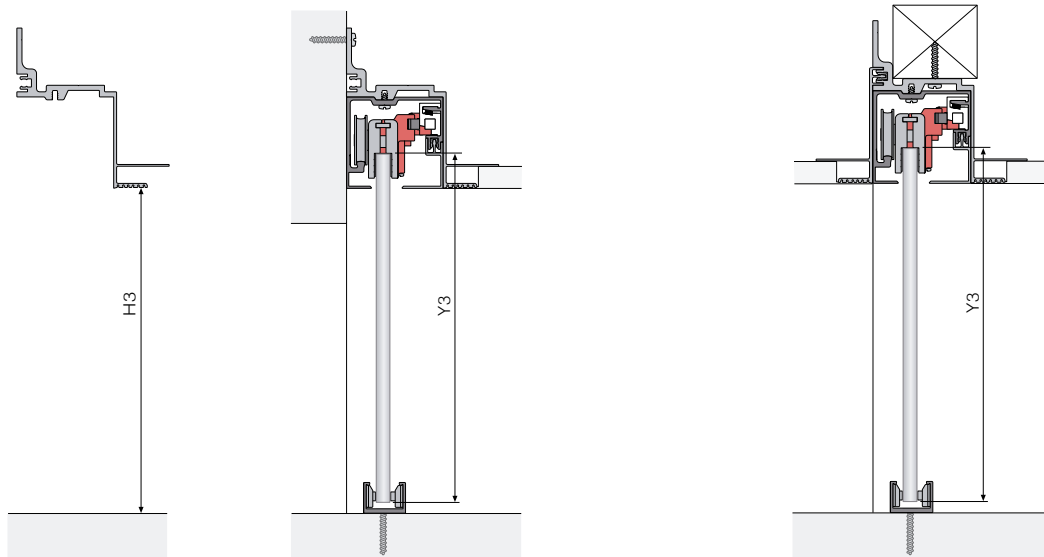
Empotrado / Recessed / Encastré / Eingebaut

CON DINTEL / WITH LINTEL / AVEC LINTEAU / MIT OBERSCHWELLE

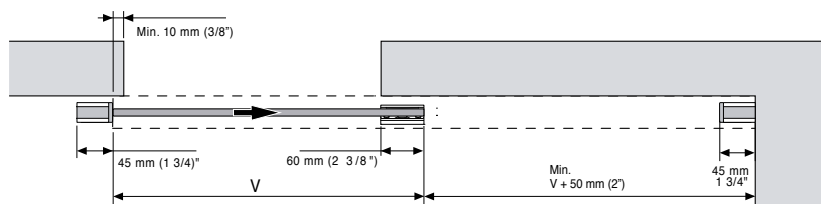
SIN DINTEL / WITHOUT LINTEL / SANS LINTEAU / OHNE OBERSCHWELLE



UNIKGLASS+ 50/100

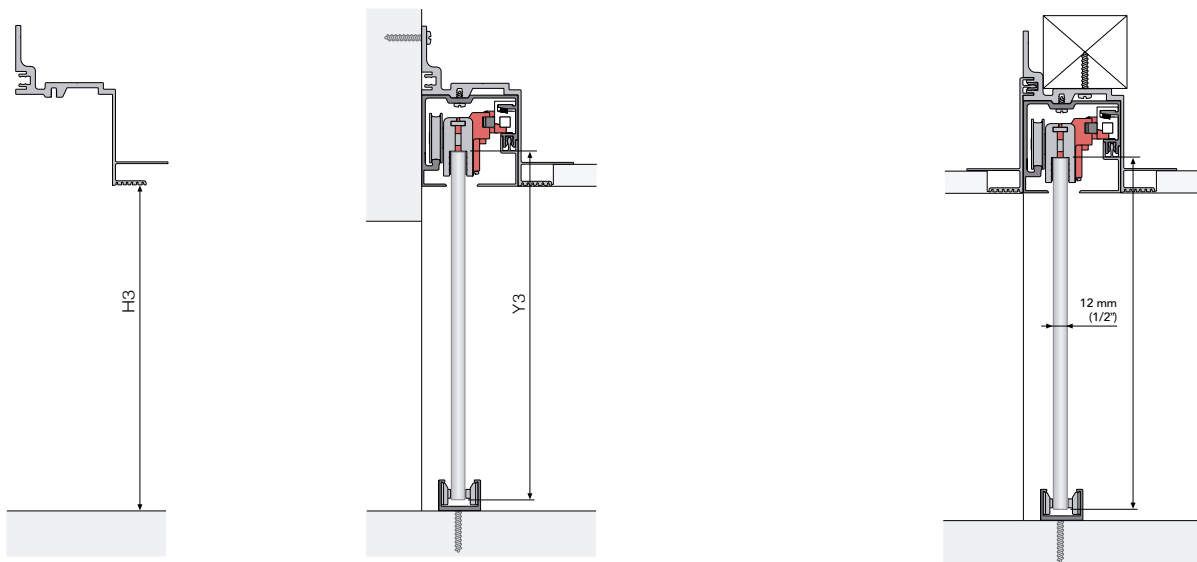


$Y3 = H3 + 16 \text{ mm (5/8")}$

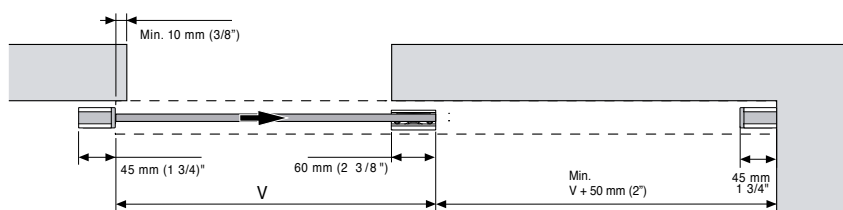


KSC Unikglass+ 50/100 V ≥ 800 mm (31 1/2")

UNIKGLASS+ 150



$Y3 = H3 + 27 \text{ mm (1 1/16")}$



KSC Unikglass+ 150 V ≥ 1000 mm (39")

REFERENCIAS / REFERENCES / RÉFÉRENCES / REFERENZ

ESP

UNIKGLASS+ 50 SILVER			
Ref.	Descripción	U.	Img.
2302	PFS. UNIKGLASS+ 50 PARED SILVER 2m	1	A
2303	PFS. UNIKGLASS+ 50 PARED SILVER 3m	1	A
2304	PFS. UNIKGLASS+ 50 PARED SILVER 4m	1	A
2306	PFS. UNIKGLASS+ 50 PARED SILVER 6m	1	A
2300	JGO. ACC.UNIKGLASS+ 50 KSC V8-10 SILVER	1	F
2310	JGO. ACC.UNIKGLASS+ 50 KBS V8-10 SILVER	1	G
2312	PFS. UNIKGLASS+ 50 TECHO SILVER 2m	1	A
2313	PFS. UNIKGLASS+ 50 TECHO SILVER 3m	1	A
2314	PFS. UNIKGLASS+ 50 TECHO SILVER 4m	1	A
2316	PFS. UNIKGLASS+ 50 TECHO SILVER 6m	1	A
2382	PFS. FALSO TECHO UNIKGLASS+ CON DINTEL 2m	1	B
2383	PFS. FALSO TECHO UNIKGLASS+ CON DINTEL 3m	1	B
2384	PFS. FALSO TECHO UNIKGLASS+ CON DINTEL 4m	1	B
2386	PFS. FALSO TECHO UNIKGLASS+ CON DINTEL 6m	1	B
2392	PFS. FALSO TECHO UNIKGLASS+ SIN DINTEL 2m	1	C
2393	PFS. FALSO TECHO UNIKGLASS+ SIN DINTEL 3m	1	C
2394	PFS. FALSO TECHO UNIKGLASS+ SIN DINTEL 4m	1	C
2396	PFS. FALSO TECHO UNIKGLASS+ SIN DINTEL 6m	1	C

UNIKGLASS+ 50 BRONCE			
Ref.	Descripción	U.	Img.
2342	PFS. UNIKGLASS+ 50 PARED BRONCE 2m	1	D
2343	PFS. UNIKGLASS+ 50 PARED BRONCE 3m	1	D
2344	PFS. UNIKGLASS+ 50 PARED BRONCE 4m	1	D
2346	PFS. UNIKGLASS+ 50 PARED BRONCE 6m	1	D
2341	PFS. UNIKGLASS+ 50 TECHO BRONCE 2m	1	D
2345	PFS. UNIKGLASS+ 50 TECHO BRONCE 3m	1	D
2347	PFS. UNIKGLASS+ 50 TECHO BRONCE 4m	1	D
2348	PFS. UNIKGLASS+ 50 TECHO BRONCE 6m	1	D
2320	JGO. ACC. UNIKGLASS+ 50 KSC V8-10 BRONCE	1	J
2340	JGO. ACC. UNIKGLASS+ 50 KBS V8-10 BRONCE	1	K

UNIKGLASS+ 50 NEGRO			
Ref.	Descripción	U.	Img.
2352	PFS. UNIKGLASS+ 50 PARED NEGRO 2m	1	E
2353	PFS. UNIKGLASS+ 50 PARED NEGRO 3m	1	E
2354	PFS. UNIKGLASS+ 50 PARED NEGRO 4m	1	E
2356	PFS. UNIKGLASS+ 50 PARED NEGRO 6m	1	E
2351	PFS. UNIKGLASS+ 50 TECHO NEGRO 2m	1	E
2355	PFS. UNIKGLASS+ 50 TECHO NEGRO 3m	1	E
2357	PFS. UNIKGLASS+ 50 TECHO NEGRO 4m	1	E
2358	PFS. UNIKGLASS+ 50 TECHO NEGRO 6m	1	E
2330	JGO. ACC. UNIKGLASS+ 50 KSC V8-10 NEGRO	1	N
2370	JGO. ACC. UNIKGLASS+ 50 KBS V8-10 NEGRO	1	O

UNIKGLASS+ 100/150 SILVER			
Ref.	Descripción	U.	Img.
2332	PFS. UNIKGLASS+ 100/150 TECHO SILVER 2m	1	A
2333	PFS. UNIKGLASS+ 100/150 TECHO SILVER 3m	1	A
2334	PFS. UNIKGLASS+ 100/150 TECHO SILVER 4m	1	A
2336	PFS. UNIKGLASS+ 100/150 TECHO SILVER 6m	1	A
2350	JGO. ACC.UNIKGLASS+ 100 KSC V10-12 SILVER	1	H
2360	JGO. ACC.UNIKGLASS+ 100 KBS V10-12 SILVER	1	I
2550	JGO. ACC.UNIKGLASS+ 150 KSC V12 SILVER	1	R
2322	PFS. UNIKGLASS+ 100/150 PARED SILVER 2m	1	A
2323	PFS. UNIKGLASS+ 100/150 PARED SILVER 3m	1	A
2324	PFS. UNIKGLASS+ 100/150 PARED SILVER 4m	1	A
2326	PFS. UNIKGLASS+ 100/150 PARED SILVER 6m	1	A
2382	PFS. FALSO TECHO UNIKGLASS+ CON DINTEL 2m	1	B
2383	PFS. FALSO TECHO UNIKGLASS+ CON DINTEL 3m	1	B
2384	PFS. FALSO TECHO UNIKGLASS+ CON DINTEL 4m	1	B
2386	PFS. FALSO TECHO UNIKGLASS+ CON DINTEL 6m	1	B
2392	PFS. FALSO TECHO UNIKGLASS+ SIN DINTEL 2m	1	C
2393	PFS. FALSO TECHO UNIKGLASS+ SIN DINTEL 3m	1	C
2394	PFS. FALSO TECHO UNIKGLASS+ SIN DINTEL 4m	1	C
2396	PFS. FALSO TECHO UNIKGLASS+ SIN DINTEL 6m	1	C

UNIKGLASS+ 100/150 BRONCE			
Ref.	Descripción	U.	Img.
2362	PFS. UNIKGLASS+ 100/150 PARED BRONCE 2m	1	D
2363	PFS. UNIKGLASS+ 100/150 PARED BRONCE 3m	1	D
2364	PFS. UNIKGLASS+ 100/150 PARED BRONCE 4m	1	D
2366	PFS. UNIKGLASS+ 100/150 PARED BRONCE 6m	1	D
2361	PFS. UNIKGLASS+ 100/150 TECHO BRONCE 2m	1	D
2365	PFS. UNIKGLASS+ 100/150 TECHO BRONCE 3m	1	D
2367	PFS. UNIKGLASS+ 100/150 TECHO BRONCE 4m	1	D
2368	PFS. UNIKGLASS+ 100/150 TECHO BRONCE 6m	1	D
2380	JGO. ACC. UNIKGLASS+ 100 KSC V10-12 BRONCE	1	L
2381	JGO. ACC. UNIKGLASS+ 100 KBS V10-12 BRONCE	1	M
2580	JGO. ACC.UNIKGLASS+ 150 KSC V12 BRONCE	1	S

UNIKGLASS+ 100/150 NEGRO			
Ref.	Descripción	U.	Img.
2372	PFS. UNIKGLASS+ 100/150 PARED NEGRO 2m	1	E
2373	PFS. UNIKGLASS+ 100/150 PARED NEGRO 3m	1	E
2374	PFS. UNIKGLASS+ 100/150 PARED NEGRO 4m	1	E
2376	PFS. UNIKGLASS+ 100/150 PARED NEGRO 6m	1	E
2371	PFS. UNIKGLASS+ 100/150 TECHO NEGRO 2m	1	E
2375	PFS. UNIKGLASS+ 100/150 TECHO NEGRO 3m	1	E
2377	PFS. UNIKGLASS+ 100/150 TECHO NEGRO 4m	1	E
2378	PFS. UNIKGLASS+ 100/150 TECHO NEGRO 6m	1	E
2390	JGO. ACC. UNIKGLASS+ 100 KSC V10-12 NEGRO	1	P
2391	JGO. ACC. UNIKGLASS+ 100 KBS V10-12 NEGRO	1	Q
2590	JGO. ACC.UNIKGLASS+ 150 KSC V12 NEGRO	1	T

ENG

UNIKGLASS+ 50 SILVER			
Ref.	Description	Units	Img.
2302	PFS. UNIKGLASS+ 50 WALL MOUNTED 2m	1	A
2303	PFS. UNIKGLASS+ 50 WALL MOUNTED 3m	1	A
2304	PFS. UNIKGLASS+ 50 WALL MOUNTED 4m	1	A
2306	PFS. UNIKGLASS+ 50 WALL MOUNTED 6m	1	A
2300	SET OF ACC.UNIKGLASS+ 50 KSC V8-10	1	F
2310	SET OF ACC.UNIKGLASS+ 50 KBS V8-10	1	G
2312	PFS. UNIKGLASS+ 50 CEILING MOUNTED 2m	1	A
2313	PFS. UNIKGLASS+ 50 CEILING MOUNTED 3m	1	A
2314	PFS. UNIKGLASS+ 50 CEILING MOUNTED 4m	1	A
2316	PFS. UNIKGLASS+ 50 CEILING MOUNTED 6m	1	A
2382	RECESSED PF. UNIKGLASS+ WITH LINTEL 2m	1	B
2383	RECESSED PF. UNIKGLASS+ WITH LINTEL 3m	1	B
2384	RECESSED PF. UNIKGLASS+ WITH LINTEL 4m	1	B
2386	RECESSED PF. UNIKGLASS+ WITH LINTEL 6m	1	B
2392	RECESSED PF. UNIKGLASS+ WITHOUT LINTEL 2m	1	C
2393	RECESSED PF. UNIKGLASS+ WITHOUT LINTEL 3m	1	C
2394	RECESSED PF. UNIKGLASS+ WITHOUT LINTEL 4m	1	C
2396	RECESSED PF. UNIKGLASS+ WITHOUT LINTEL 6m	1	C

UNIKGLASS+ 50 BRONZE			
Ref.	Description	Units	Img.
2342	PFS. UNIKGLASS+ 50 WALL MOUNTED BRONZE 2m	1	D
2343	PFS. UNIKGLASS+ 50 WALL MOUNTED BRONZE 3m	1	D
2344	PFS. UNIKGLASS+ 50 WALL MOUNTED BRONZE 4m	1	D
2346	PFS. UNIKGLASS+ 50 WALL MOUNTED BRONZE 6m	1	D
2341	PFS. UNIKGLASS+ 50 CEILING MOUNTED BRONZE 2m	1	D
2345	PFS. UNIKGLASS+ 50 CEILING MOUNTED BRONZE 3m	1	D
2347	PFS. UNIKGLASS+ 50 CEILING MOUNTED BRONZE 4m	1	D
2348	PFS. UNIKGLASS+ 50 CEILING MOUNTED BRONZE 6m	1	D
2320	SET OF ACC. UNIKGLASS+ 50 KSC V8-10 BRONZE	1	J
2340	SET OF ACC. UNIKGLASS+ 50 KBS V8-10 BRONZE	1	K

UNIKGLASS+ 50 BLACK			
Ref.	Description	Units	Img.
2352	PFS. UNIKGLASS+ 50 WALL MOUNTED BLACK 2m	1	E
2353	PFS. UNIKGLASS+ 50 WALL MOUNTED BLACK 3m	1	E
2354	PFS. UNIKGLASS+ 50 WALL MOUNTED BLACK 4m	1	E
2356	PFS. UNIKGLASS+ 50 WALL MOUNTED BLACK 6m	1	E
2351	PFS. UNIKGLASS+ 50 CEILING MOUNTED BLACK 2m	1	E
2355	PFS. UNIKGLASS+ 50 CEILING MOUNTED BLACK 3m	1	E
2357	PFS. UNIKGLASS+ 50 CEILING MOUNTED BLACK 4m	1	E
2358	PFS. UNIKGLASS+ 50 CEILING MOUNTED BLACK 6m	1	E
2330	SET OF ACC. UNIKGLASS+ 50 KSC V8-10 BLACK	1	N
2370	SET OF ACC. UNIKGLASS+ 50 KBS V8-10 BLACK	1	O

UNIKGLASS+ 100/150 SILVER			
Ref.	Description	Units	Img.
2332	PFS. UNIKGLASS+ 100/150 CEILING MOUNTED 2m	1	A
2333	PFS. UNIKGLASS+ 100/150 CEILING MOUNTED 3m	1	A
2334	PFS. UNIKGLASS+ 100/150 CEILING MOUNTED 4m	1	A
2336	PFS. UNIKGLASS+ 100/150 CEILING MOUNTED 6m	1	A
2350	SET OF ACC.UNIKGLASS+ 100 KSC V10-12	1	H
2360	SET OF ACC.UNIKGLASS+ 100 KBS V10-12	1	I
2550	SET OF ACC.UNIKGLASS+ 150 KSC V12	1	R
2322	PFS. UNIKGLASS+ 100/150 WALL MOUNTED 2m	1	A
2323	PFS. UNIKGLASS+ 100/150 WALL MOUNTED 3m	1	A
2324	PFS. UNIKGLASS+ 100/150 WALL MOUNTED 4m	1	A
2326	PFS. UNIKGLASS+ 100/150 WALL MOUNTED 6m	1	A
2382	RECESSED PF. UNIKGLASS+ WITH LINTEL 2m	1	B
2383	RECESSED PF. UNIKGLASS+ WITH LINTEL 3m	1	B
2384	RECESSED PF. UNIKGLASS+ WITH LINTEL 4m	1	B
2386	RECESSED PF. UNIKGLASS+ WITH LINTEL 6m	1	B
2392	RECESSED PF. UNIKGLASS+ WITHOUT LINTEL 2m	1	C
2393	RECESSED PF. UNIKGLASS+ WITHOUT LINTEL 3m	1	C
2394	RECESSED PF. UNIKGLASS+ WITHOUT LINTEL 4m	1	C
2396	RECESSED PF. UNIKGLASS+ WITHOUT LINTEL 6m	1	C

UNIKGLASS+ 100/150 BRONZE			
Ref.	Description	Units	Img.
2362	PFS. UNIKGLASS+ 100/150 WALL MOUNTED BRONZE 2m	1	D
2363	PFS. UNIKGLASS+ 100/150 WALL MOUNTED BRONZE 3m	1	D
2364	PFS. UNIKGLASS+ 100/150 WALL MOUNTED BRONZE 4m	1	D
2366	PFS. UNIKGLASS+ 100/150 WALL MOUNTED BRONZE 6m	1	D
2361	PFS. UNIKGLASS+ 100/150 CEILING MOUNTED BRONZE 2m	1	D
2365	PFS. UNIKGLASS+ 100/150 CEILING MOUNTED BRONZE 3m	1	D
2367	PFS. UNIKGLASS+ 100/150 CEILING MOUNTED BRONZE 4m	1	D
2368	PFS. UNIKGLASS+ 100/150 CEILING MOUNTED BRONZE 6m	1	D
2380	SET OF ACC. UNIKGLASS+ 100 KSC V10-12 BRONZE	1	L
2381	SET OF ACC. UNIKGLASS+ 100 KBS V10-12 BRONZE	1	M
2580	SET OF ACC. UNIKGLASS+ 150 KSC V12 BRONZE	1	S

UNIKGLASS+ 100/150 BLACK			
Ref.	Description	Units	Img.
2372	PFS. UNIKGLASS+ 100/150 WALL MOUNTED BLACK 2m	1	E
2373	PFS. UNIKGLASS+ 100/150 WALL MOUNTED BLACK 3m	1	E
2374	PFS. UNIKGLASS+ 100/150 WALL MOUNTED BLACK 4m	1	E
2376	PFS. UNIKGLASS+ 100/150 WALL MOUNTED BLACK 6m	1	E
2371	PFS. UNIKGLASS+ 100/150 CEILING MOUNTED BLACK 2m	1	E
2375	PFS. UNIKGLASS+ 100/150 CEILING MOUNTED BLACK 3m	1	E
2377	PFS. UNIKGLASS+ 100/150 CEILING MOUNTED BLACK 4m	1	E
2378	PFS. UNIKGLASS+ 100/150 CEILING MOUNTED BLACK 6m	1	E
2390	SET OF ACC. UNIKGLASS+ 100 KSC V10-12 BLACK	1	P
2391	SET OF ACC. UNIKGLASS+ 100 KBS V10-12 BLACK	1	Q
2590	SET OF ACC. UNIKGLASS+ 150 KSC V12 BLACK	1	T

REFERENCIAS / REFERENCES / RÉFÉRENCES / REFERENZ

FRA

UNIKGLASS+ 50 SILVER			
Ref.	Description	Unités	Img.
2302	RAILS UNIKGLASS+ 50 MURAL 2m	1	A
2303	RAILS UNIKGLASS+ 50 MURAL 3m	1	A
2304	RAILS UNIKGLASS+ 50 MURAL 4m	1	A
2306	RAILS UNIKGLASS+ 50 MURAL 6m	1	A
2300	JEU ACC.UNIKGLASS+ 50 KSC V8-10	1	F
2310	JEU ACC.UNIKGLASS+ 50 KBS V8-10	1	G
2312	RAILS UNIKGLASS+ 50 PLAFOND 2m	1	A
2313	RAILS UNIKGLASS+ 50 PLAFOND 3m	1	A
2314	RAILS UNIKGLASS+ 50 PLAFOND 4m	1	A
2316	RAILS UNIKGLASS+ 50 PLAFOND 6m	1	A
2382	RAIL FAUX PLAFOND UNIKGLASS+ AVEC LINTEAU 2m	1	B
2383	RAIL FAUX PLAFOND UNIKGLASS+ AVEC LINTEAU 3m	1	B
2384	RAIL FAUX PLAFOND UNIKGLASS+ AVEC LINTEAU 4m	1	B
2386	RAIL FAUX PLAFOND UNIKGLASS+ AVEC LINTEAU 6m	1	B
2392	RAIL FAUX PLAFOND UNIKGLASS+ SANS LINTEAU 2m	1	C
2393	RAIL FAUX PLAFOND UNIKGLASS+ SANS LINTEAU 3m	1	C
2394	RAIL FAUX PLAFOND UNIKGLASS+ SANS LINTEAU 4m	1	C
2396	RAIL FAUX PLAFOND UNIKGLASS+ SANS LINTEAU 6m	1	C

UNIKGLASS+ 50 BRONZE			
Ref.	Description	Unités	Img.
2342	RAILS UNIKGLASS+ 50 MURAL BRONZE 2m	1	D
2343	RAILS UNIKGLASS+ 50 MURAL BRONZE 3m	1	D
2344	RAILS UNIKGLASS+ 50 MURAL BRONZE 4m	1	D
2346	RAILS UNIKGLASS+ 50 MURAL BRONZE 6m	1	D
2341	RAILS UNIKGLASS+ 50 PLAFOND BRONZE 2m	1	D
2345	RAILS UNIKGLASS+ 50 PLAFOND BRONZE 3m	1	D
2347	RAILS UNIKGLASS+ 50 PLAFOND BRONZE 4m	1	D
2348	RAILS UNIKGLASS+ 50 PLAFOND BRONZE 6m	1	D
2320	JEU ACC. UNIKGLASS+ 50 KSC V8-10 BRONZE	1	J
2340	JEU ACC. UNIKGLASS+ 50 KBS V8-10 BRONZE	1	K

UNIKGLASS+ 50 NOIR			
Ref.	Description	Unités	Img.
2352	RAILS UNIKGLASS+ 50 MURAL NOIR 2m	1	E
2353	RAILS UNIKGLASS+ 50 MURAL NOIR 3m	1	E
2354	RAILS UNIKGLASS+ 50 MURAL NOIR 4m	1	E
2356	RAILS UNIKGLASS+ 50 MURAL NOIR 6m	1	E
2351	RAILS UNIKGLASS+ 50 PLAFOND NOIR 2m	1	E
2355	RAILS UNIKGLASS+ 50 PLAFOND NOIR 3m	1	E
2357	RAILS UNIKGLASS+ 50 PLAFOND NOIR 4m	1	E
2358	RAILS UNIKGLASS+ 50 PLAFOND NOIR 6m	1	E
2330	JEU ACC. UNIKGLASS+ 50 KSC V8-10 NOIR	1	N
2370	JEU ACC. UNIKGLASS+ 50 KBS V8-10 NOIR	1	O

UNIKGLASS+ 100/150 SILVER			
Ref.	Description	Unités	Img.
2332	RAILS UNIKGLASS+ 100/150 PLAFOND 2m	1	A
2333	RAILS UNIKGLASS+ 100/150 PLAFOND 3m	1	A
2334	RAILS UNIKGLASS+ 100/150 PLAFOND 4m	1	A
2336	RAILS UNIKGLASS+ 100/150 PLAFOND 6m	1	A
2350	JEU ACC.UNIKGLASS+ 100 KSC V10-12	1	H
2360	JEU ACC.UNIKGLASS+ 100 KBS V10-12	1	I
2550	JEU ACC.UNIKGLASS+ 150 KSC V12	1	R
2322	RAILS UNIKGLASS+ 100/150 MURAL 2m	1	A
2323	RAILS UNIKGLASS+ 100/150 MURAL 3m	1	A
2324	RAILS UNIKGLASS+ 100/150 MURAL 4m	1	A
2326	RAILS UNIKGLASS+ 100/150 MURAL 6m	1	A
2382	RAIL FAUX PLAFOND UNIKGLASS+ AVEC LINTEAU 2m	1	B
2383	RAIL FAUX PLAFOND UNIKGLASS+ AVEC LINTEAU 3m	1	B
2384	RAIL FAUX PLAFOND UNIKGLASS+ AVEC LINTEAU 4m	1	B
2386	RAIL FAUX PLAFOND UNIKGLASS+ AVEC LINTEAU 6m	1	B
2392	RAIL FAUX PLAFOND UNIKGLASS+ SANS LINTEAU 2m	1	C
2393	RAIL FAUX PLAFOND UNIKGLASS+ SANS LINTEAU 3m	1	C
2394	RAIL FAUX PLAFOND UNIKGLASS+ SANS LINTEAU 4m	1	C
2396	RAIL FAUX PLAFOND UNIKGLASS+ SANS LINTEAU 6m	1	C

UNIKGLASS+ 100/150 BRONZE			
Ref.	Description	Unités	Img.
2362	RAILS UNIKGLASS+ 100/150 MURAL BRONZE 2m	1	D
2363	RAILS UNIKGLASS+ 100/150 MURAL BRONZE 3m	1	D
2364	RAILS UNIKGLASS+ 100/150 MURAL BRONZE 4m	1	D
2366	RAILS UNIKGLASS+ 100/150 MURAL BRONZE 6m	1	D
2361	RAILS UNIKGLASS+ 100/150 PLAFOND BRONZE 2m	1	D
2365	RAILS UNIKGLASS+ 100/150 PLAFOND BRONZE 3m	1	D
2367	RAILS UNIKGLASS+ 100/150 PLAFOND BRONZE 4m	1	D
2368	RAILS UNIKGLASS+ 100/150 PLAFOND BRONZE 6m	1	D
2380	JEU ACC. UNIKGLASS+ 100 KSC V10-12 BRONZE	1	L
2381	JEU ACC. UNIKGLASS+ 100 KBS V10-12 BRONZE	1	M
2580	JEU ACC. UNIKGLASS+ 150 KSC V12 BRONZE		S

UNIKGLASS+ 100/150 NOIR			
Ref.	Description	Unités	Img.
2372	RAILS UNIKGLASS+ 100/150 MURAL BRONZE 2m	1	E
2373	RAILS UNIKGLASS+ 100/150 MURAL BRONZE 3m	1	E
2374	RAILS UNIKGLASS+ 100/150 MURAL BRONZE 4m	1	E
2376	RAILS UNIKGLASS+ 100/150 MURAL BRONZE 6m	1	E
2371	RAILS UNIKGLASS+ 100/150 PLAFOND BRONZE 2m	1	E
2375	RAILS UNIKGLASS+ 100/150 PLAFOND BRONZE 3m	1	E
2377	RAILS UNIKGLASS+ 100/150 PLAFOND BRONZE 4m	1	E
2378	RAILS UNIKGLASS+ 100/150 PLAFOND BRONZE 6m	1	E
2390	JEU ACC. UNIKGLASS+ 100 KSC V10-12 BRONZE	1	P
2391	JEU ACC. UNIKGLASS+ 100 KBS V10-12 BRONZE	1	Q
2590	JEU ACC. UNIKGLASS+ 150 KSC V12 BRONZE		T

DEU

UNIKGLASS+ 50 SILVER			
Ref.	Beschreibung	Einh.	Img.
2302	PFS. UNIKGLASS+ 50 WAND SILVER 2 m	1	A
2303	PFS. UNIKGLASS+ 50 WAND SILVER 3 m	1	A
2304	PFS. UNIKGLASS+ 50 WAND SILVER 4 m	1	A
2306	PFS. UNIKGLASS+ 50 WAND SILVER 6 m	1	A
2300	SET ACC.UNIKGLASS+ 50 KSC V8-10 SILVER	1	F
2310	SET ACC.UNIKGLASS+ 50 KBS V8-10 SILVER	1	G
2312	PFS. UNIKGLASS+ 50 DECKE SILVER 2 m	1	A
2313	PFS. UNIKGLASS+ 50 DECKE SILVER 3 m	1	A
2314	PFS. UNIKGLASS+ 50 DECKE SILVER 4 m	1	A
2316	PFS. UNIKGLASS+ 50 DECKE SILVER 6 m	1	A
2382	PFS. ZWISCHENDECKE UNIKGLASS+ MIT OBERSCHWELLE 2 m	1	B
2383	PFS. ZWISCHENDECKE UNIKGLASS+ MIT OBERSCHWELLE 3 m	1	B
2384	PFS. ZWISCHENDECKE UNIKGLASS+ MIT OBERSCHWELLE 4 m	1	B
2386	PFS. ZWISCHENDECKE UNIKGLASS+ MIT OBERSCHWELLE 6 m	1	B
2392	PFS. ZWISCHENDECKE UNIKGLASS+ OHNE OBERSCHWELLE 2 m	1	C
2393	PFS. ZWISCHENDECKE UNIKGLASS+ OHNE OBERSCHWELLE 3 m	1	C
2394	PFS. ZWISCHENDECKE UNIKGLASS+ OHNE OBERSCHWELLE 4 m	1	C
2396	PFS. ZWISCHENDECKE UNIKGLASS+ OHNE OBERSCHWELLE 6 m	1	C

UNIKGLASS+ 50 BRONZE			
Ref.	Beschreibung	Einh.	Img.
2342	PFS. UNIKGLASS+ 50 WAND BRONZE 2 m	1	D
2343	PFS. UNIKGLASS+ 50 WAND BRONZE 3 m	1	D
2344	PFS. UNIKGLASS+ 50 WAND BRONZE 4 m	1	D
2346	PFS. UNIKGLASS+ 50 WAND BRONZE 6 m	1	D
2341	PFS. UNIKGLASS+ 50 DECKE BRONZE 2 m	1	D
2345	PFS. UNIKGLASS+ 50 DECKE BRONZE 3 m	1	D
2347	PFS. UNIKGLASS+ 50 DECKE BRONZE 4 m	1	D
2348	PFS. UNIKGLASS+ 50 DECKE BRONZE 6 m	1	D
2320	SET ACC. UNIKGLASS+ 50 KSC V8-10 BRONZE	1	J
2340	SET ACC. UNIKGLASS+ 50 KBS V8-10 BRONZE	1	K

UNIKGLASS+ 50 SCHWARZ			
Ref.	Beschreibung	Einh.	Img.
2352	PFS. UNIKGLASS+ 50 WAND SCHWARZ 2 m	1	E
2353	PFS. UNIKGLASS+ 50 WAND SCHWARZ 3 m	1	E
2354	PFS. UNIKGLASS+ 50 WAND SCHWARZ 4 m	1	E
2356	PFS. UNIKGLASS+ 50 WAND SCHWARZ 6 m	1	E
2351	PFS. UNIKGLASS+ 50 DECKE SCHWARZ 2 m	1	E
2355	PFS. UNIKGLASS+ 50 DECKE SCHWARZ 3 m	1	E
2357	PFS. UNIKGLASS+ 50 DECKE SCHWARZ 4 m	1	E
2358	PFS. UNIKGLASS+ 50 DECKE SCHWARZ 6 m	1	E
2330	SET ACC. UNIKGLASS+ 50 KSC V8-10 SCHWARZ	1	N
2370	SET ACC. UNIKGLASS+ 50 KBS V8-10 SCHWARZ	1	O

UNIKGLASS+ 100/150 SILVER			
Ref.	Beschreibung	Einh.	Img.
2332	PFS. UNIKGLASS+ 100/150 DECKE SILVER 2m	1	A
2333	PFS. UNIKGLASS+ 100/150 DECKE SILVER 3m	1	A
2334	PFS. UNIKGLASS+ 100/150 DECKE SILVER 4m	1	A
2336	PFS. UNIKGLASS+ 100/150 DECKE SILVER 6m	1	A
2350	SET ACC.UNIKGLASS+ 100 KSC V10-12 SILVER	1	H
2360	SET ACC.UNIKGLASS+ 100 KBS V10-12 SILVER	1	I
2550	SET ACC.UNIKGLASS+ 150 KSC V12 SILVER	1	R
2322	PFS. UNIKGLASS+ 100/150 WAND SILVER 2m	1	A
2323	PFS. UNIKGLASS+ 100/150 WAND SILVER 3m	1	A
2324	PFS. UNIKGLASS+ 100/150 WAND SILVER 4m	1	A
2326	PFS. UNIKGLASS+ 100/150 WAND SILVER 6m	1	A
2382	PFS. ZWISCHENDECKE UNIKGLASS+ MIT OBERSCHWELLE 2m	1	B
2383	PFS. ZWISCHENDECKE UNIKGLASS+ MIT OBERSCHWELLE 3m	1	B
2384	PFS. ZWISCHENDECKE UNIKGLASS+ MIT OBERSCHWELLE 4m	1	B
2386	PFS. ZWISCHENDECKE UNIKGLASS+ MIT OBERSCHWELLE 6m	1	B
2392	PFS. ZWISCHENDECKE UNIKGLASS+ OHNE OBERSCHWELLE 2m	1	C
2393	PFS. ZWISCHENDECKE UNIKGLASS+ OHNE OBERSCHWELLE 3m	1	C
2394	PFS. ZWISCHENDECKE UNIKGLASS+ OHNE OBERSCHWELLE 4m	1	C
2396	PFS. ZWISCHENDECKE UNIKGLASS+ OHNE OBERSCHWELLE 6m	1	C

UNIKGLASS+ 100/150 BRONZE			
Ref.	Beschreibung	Einh.	Img.
2362	PFS. UNIKGLASS+ 100/150 WAND BRONZE 2m	1	D
2363	PFS. UNIKGLASS+ 100/150 WAND BRONZE 3m	1	D
2364	PFS. UNIKGLASS+ 100/150 WAND BRONZE 4m	1	D
2366	PFS. UNIKGLASS+ 100/150 WAND BRONZE 6m	1	D
2361	PFS. UNIKGLASS+ 100/150 DECKE BRONZE 2m	1	D
2365	PFS. UNIKGLASS+ 100/150 DECKE BRONZE 3m	1	D
2367	PFS. UNIKGLASS+ 100/150 DECKE BRONZE 4m	1	D
2368	PFS. UNIKGLASS+ 100/150 DECKE BRONZE 6m	1	D
2380	SET ACC. UNIKGLASS+ 100 KSC V10-12 BRONZE	1	L
2381	SET ACC. UNIKGLASS+ 100 KBS V10-12 BRONZE	1	M
2580	SET ACC. UNIKGLASS+ 150 KSC V12 BRONZE	1	S

UNIKGLASS+ 100/150 SCHWARZ			
Ref.	Beschreibung	Einh.	Img.
2372	PFS. UNIKGLASS+ 100/150 WAND SCHWARZ 2m	1	E
2373	PFS. UNIKGLASS+ 100/150 WAND SCHWARZ 3m	1	E
2374	PFS. UNIKGLASS+ 100/150 WAND SCHWARZ 4m	1	E
2376	PFS. UNIKGLASS+ 100/150 WAND SCHWARZ 6m	1	E
2371	PFS. UNIKGLASS+ 100/150 DECKE SCHWARZ 2m	1	E
2375	PFS. UNIKGLASS+ 100/150 DECKE SCHWARZ 3m	1	E
2377	PFS. UNIKGLASS+ 100/150 DECKE SCHWARZ 4m	1	E
2378	PFS. UNIKGLASS+ 100/150 DECKE SCHWARZ 6m	1	E
2390	SET ACC. UNIKGLASS+ 100 KSC V10-12 SCHWARZ	1	P
2391	SET ACC. UNIKGLASS+ 100 KBS V10-12 SCHWARZ	1	Q
2590	SET ACC. UNIKGLASS+ 150 KSC V12 SCHWARZ	1	T



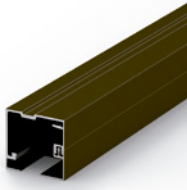
A



B



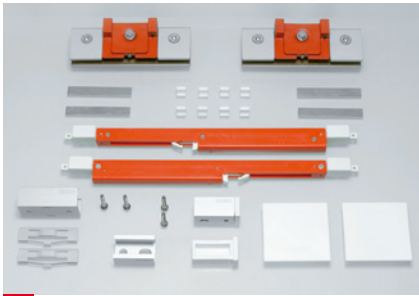
C



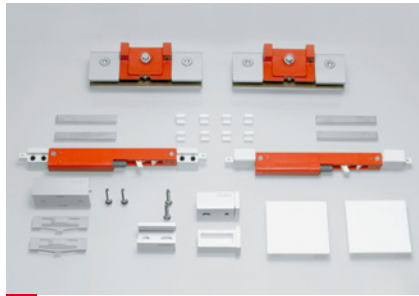
D



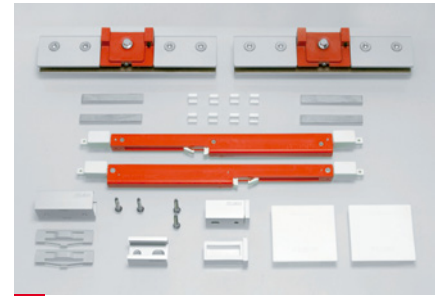
E



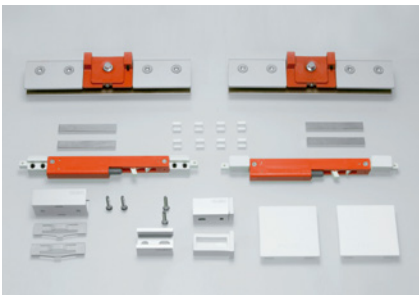
F



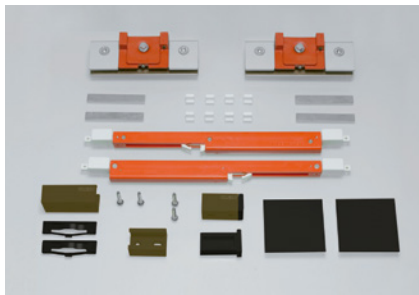
G



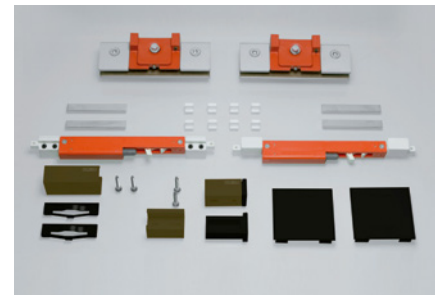
H



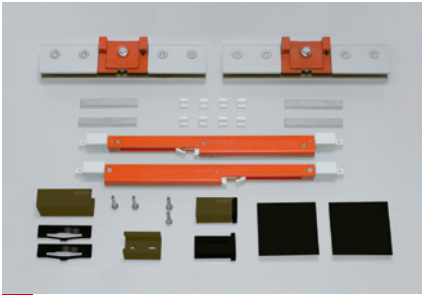
I



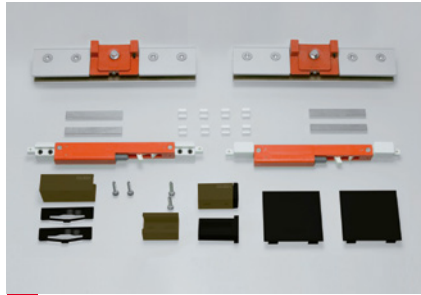
J



K



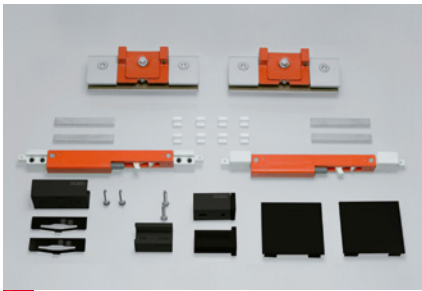
L



M



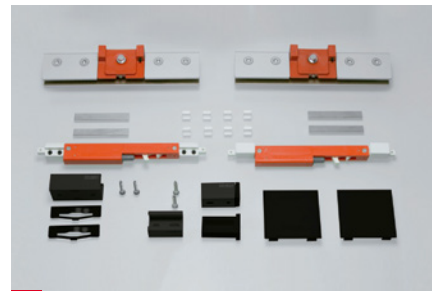
N



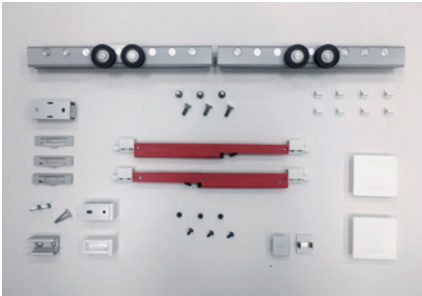
O



P



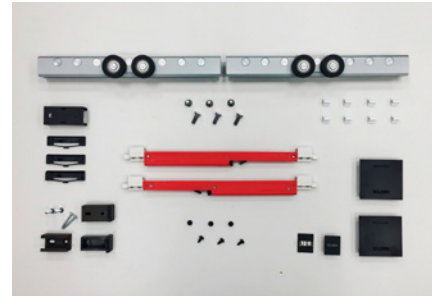
Q



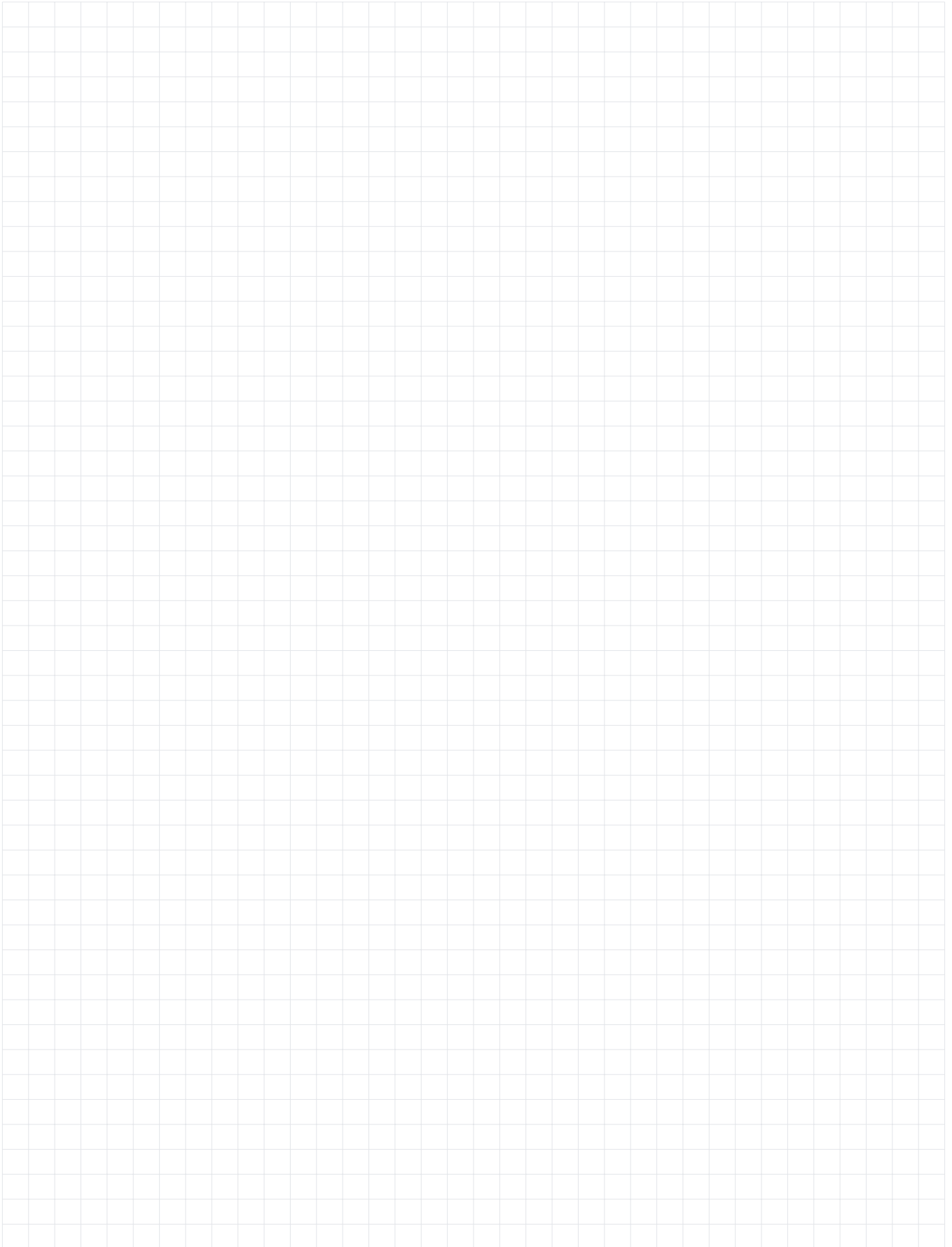
R

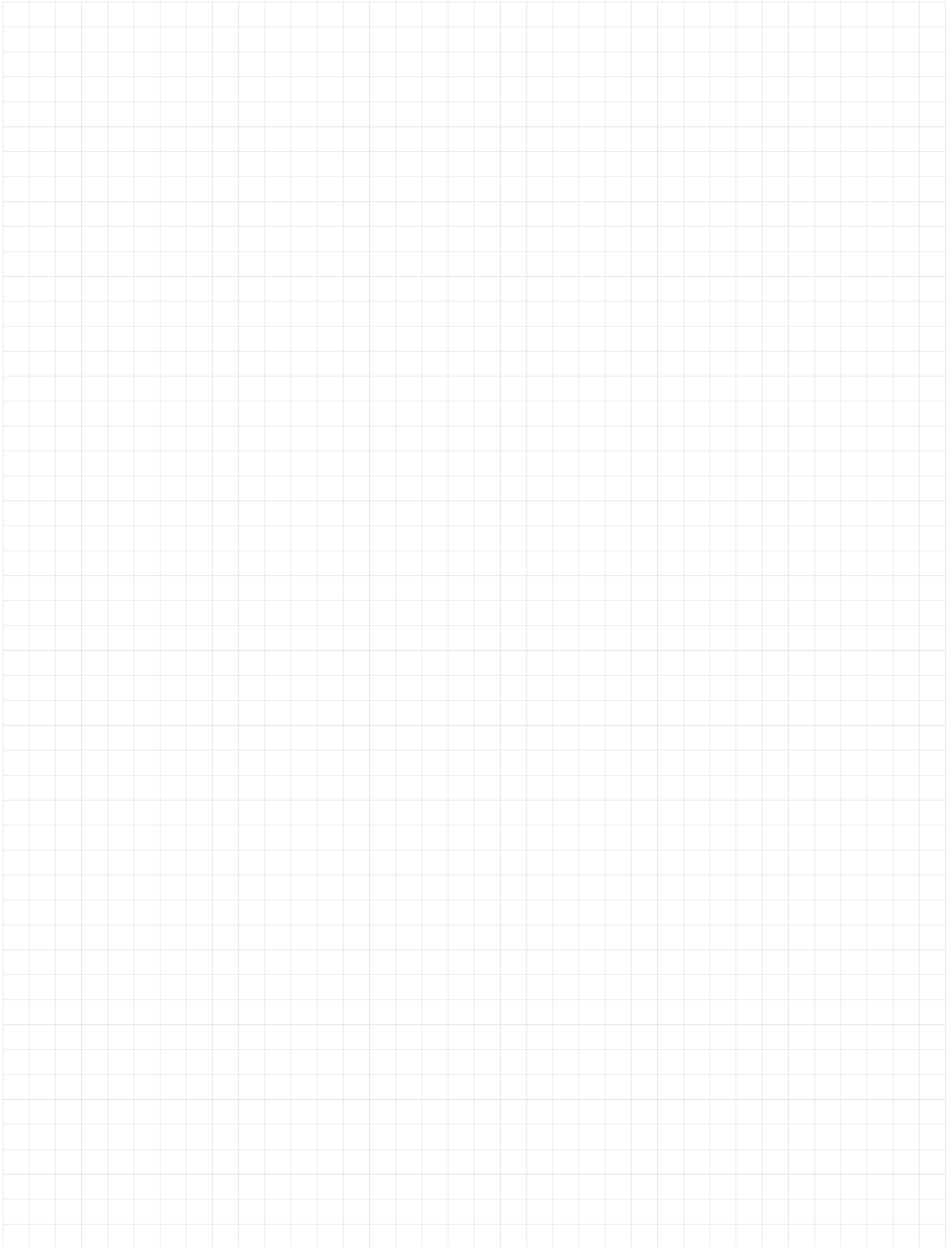


S



T





KLEIN®

KLEIN EUROPE
Edificio KLEIN
Polígono Industrial Can Cuyás
N-150 Km. 1
08110 Montcada i Reixac
Barcelona (Spain)

Tel.: +34 935 760 101
Fax: +34 935 760 109

+Info
klein@klein.es
www.klein.es

Síguenos en redes
Follow us on social media

