

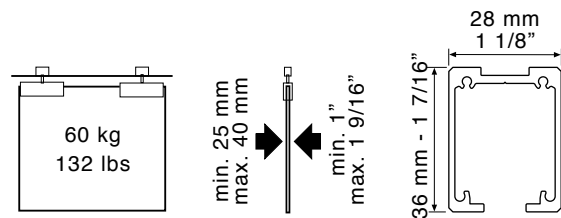
Sistema de puertas correderas  
Sliding doors system  
Système de portes coulissantes  
Schiebetüren System

# SLID

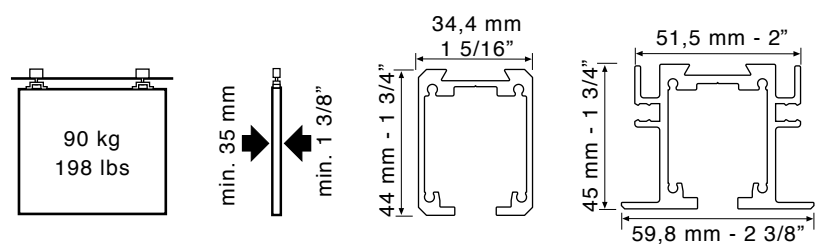
Interiorismo Madera  
Interior Design Wood  
Décoration d'Intérieur Bois  
Innenausstattung Holz



**SLID 60**



**SLID 90**



## ESP

Slid está diseñado para dividir ambientes a través de puerta(s) de madera o de metal generando una luz de paso óptima consiguiendo un diseño minimalista para obras de calidad.

- Ideal para separación de cocinas, salones, baños, habitaciones, oficinas...
- Sistema compacto para diseño minimalista.
- Zona de paso limpia sin riel en el suelo.
- Espacio mínimo entre puerta y perfil.
- Aplicación con perfil visto, empotrado o entre tabiques.
- Sistema de ajuste horizontal tradicional con galería de aluminio o ajuste vertical con herrajes empotrados (Retrac).
- Perfil de aluminio anodizado "Silver" (AA10 ISO 7599, 10 micras). (Slid 60, 90, 150) o natural (Slid 90, 150).
- Puerta hasta 150 Kg.
- Rodamientos con eje de fricción (Slid 60, 90) o rodamientos de bolas (Slid 150) para apertura suave.
- Topes retenedores para un cierre óptimo.
- Instalación a pared, a techo o a falso techo.

Sistemas testados hasta 100.000 ciclos según la norma EN1527.

## FRA

Slid a été conçu pour la distribution d'espaces avec une ou plusieurs portes en bois ou en métal permettant d'obtenir une ouverture de passage maximum et un design minimaliste et de grande qualité.

- Idéal pour la séparation de cuisines, salons, salles de bain, chambres et bureaux.
- Système compacte pour un design minimaliste.
- Zone de passage dégagée, sans guidage au sol.
- Espace minimum entre la porte et le rail.
- Application sur rail apparent, encastré ou entre parois.
- Système à réglage horizontal traditionnel avec galerie en aluminium, ou réglage vertical avec ferrures encastrées (Retrac).
- Rail en aluminium anodisé "Silver" (AA10 ISO 7599, 10 microns). (Slid 60, 90, 150) ou naturel (Slid 90, 150).
- Portes 150 Kg. maximum.
- Le roulement à friction (Slid 60, 90) et le roulement à billes (Slid 150) assurent une ouverture douce.
- Butées de retenue pour une fermeture optimale.
- Installation au mur, au plafond ou faux-plafond.

Systèmes testés jusqu'à 100.000 cycles selon la norme EN1527.

## ENG

Slid has been designed to separate rooms by wooden or metal doors, optimizing clearance and providing a minimalist design for high-end projects.

- Ideal for partitioning kitchens, lounges, bathrooms, bedrooms, offices, etc.
- Compact system for minimalist design.
- Cleared passageway with no floor profile.
- Minimum gap between door and profile.
- Choice of exposed, recessed or pocket application.
- Choice of conventional horizontal hold system with aluminium gallery or vertical hold system with built-in fittings (Retrac).
- "Silver" anodized aluminium profile (AA10 ISO 7599, 10 microns). (Slid 60, 90, 150) or natural (Slid 150).
- Holds doors up to 150 Kg.
- Friction bearing system (Slid 60, 90) or bearing system (Slid 150) for smooth opening.
- Stopper-brake for optimum closing.
- Wall, ceiling or dropped ceiling installation.

Systems tested up to 100.000 cycles as per standard EN1527.

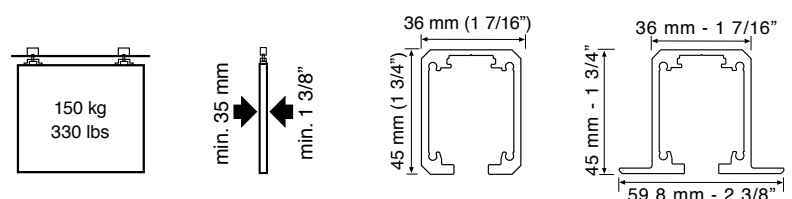
## DEU

Slid ist dafür ausgelegt, ein Ambiente durch eine oder mehrere Holz- oder Metalltür(en) abzuteilen und ein optimales Öffnungsmaß und minimalistisches Design für anspruchsvolle Projekte zu erzielen.

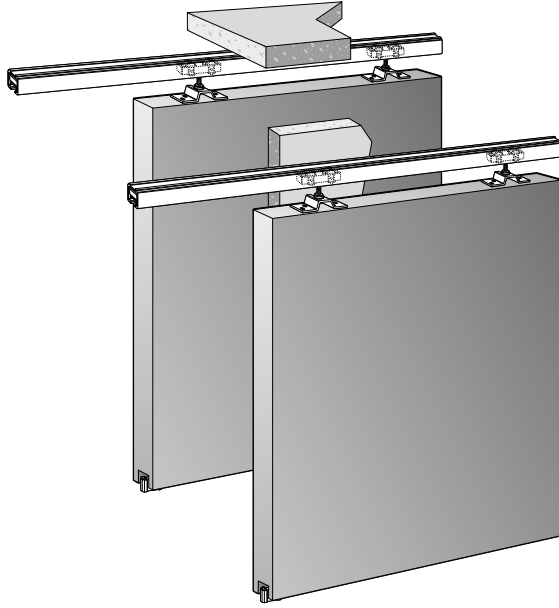
- Ideal zur Abtrennung von Küche, Wohnzimmer, Badezimmern, Schlafzimmer, Büro...
- Kompaktes System für minimalistisches Design.
- Freier Durchgangsbereich ohne Bodenschiene.
- Minimaler Abstand zwischen Tür und Laufschiene.
- Anwendung mit sichtbarer Schiene (an der Wand oder Decke), verblendeter Schiene oder zwischen Wänden.
- Traditionelle horizontale Justierung mit Aluminiumschienenblende oder vertikale Justierung mit Einbaubeschlägen (Retrac).
- „Silver“ eloxiertem aluminium-Profil (AA10 ISO 7599, 10 Mikrons). (Slid 60, 90, 150) oder natürlich (Slid 90, 150).
- Tür bis 150 Kg.
- Gleitlager (Slid 60, 90) und Kugellager (Slid 150) für sanftes Öffnen.
- Endanschläge zum optimalen Schließen.
- Montage an der Wand, an der Decke oder der Zwischendecke.

Systeme gemäß der Norm EN1527 bis 100.000 Zyklen getestet.

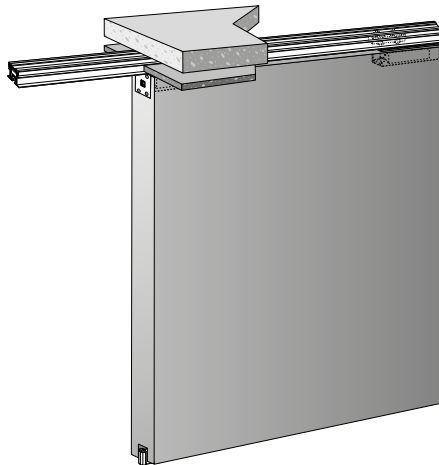
## SLID 150



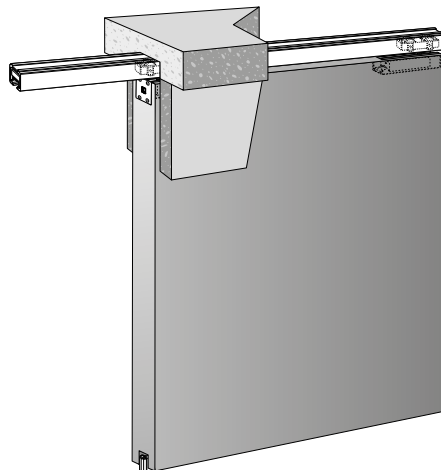
**SLID SUPERIOR**



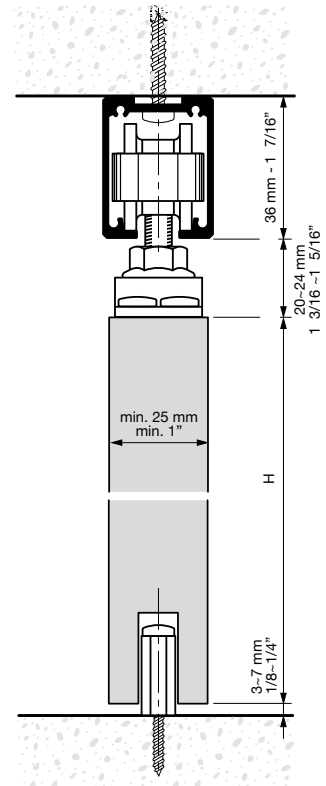
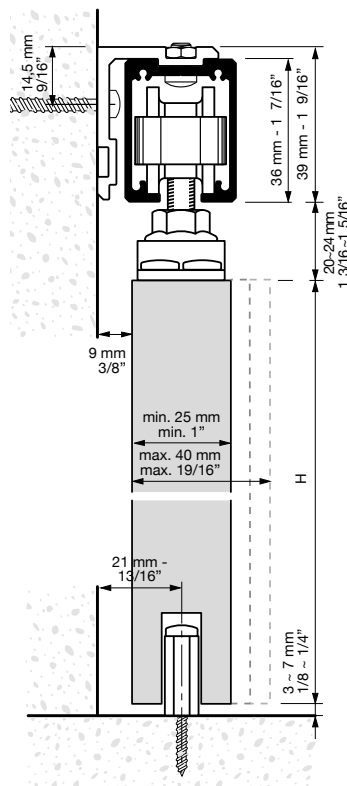
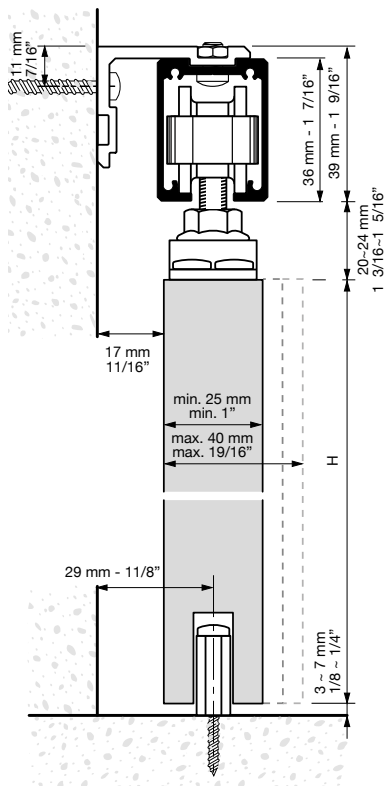
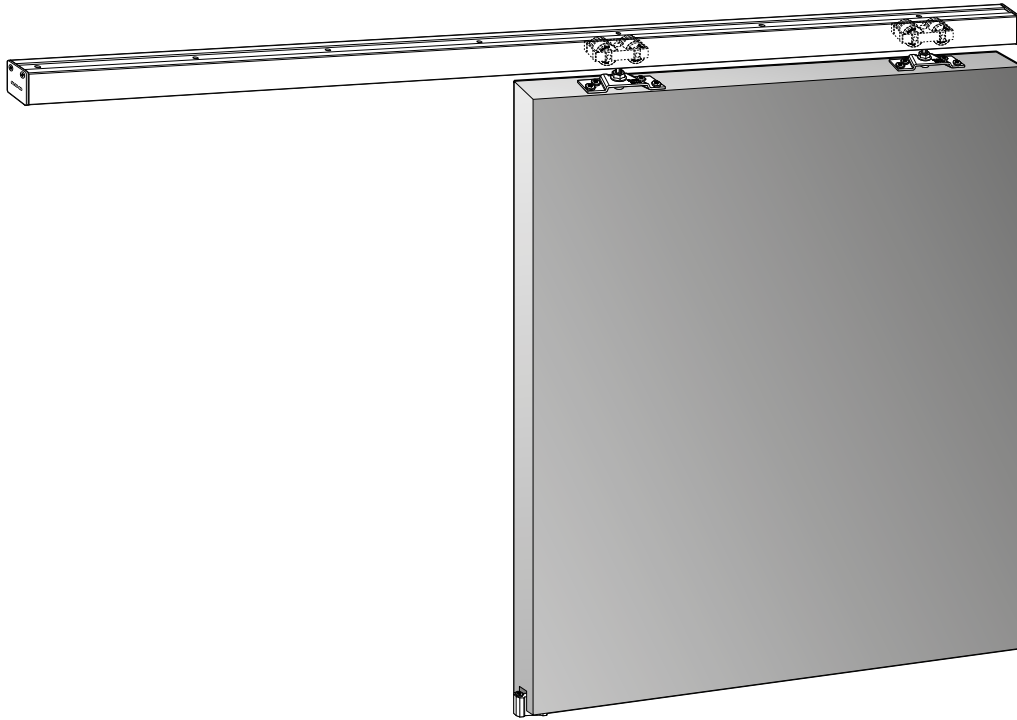
**SLID RETRAC**



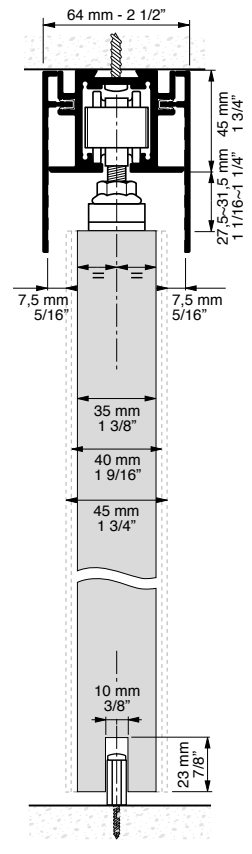
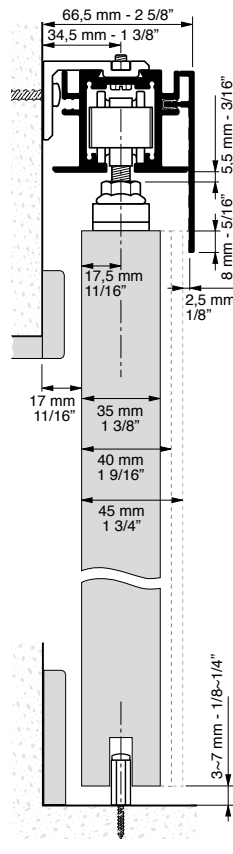
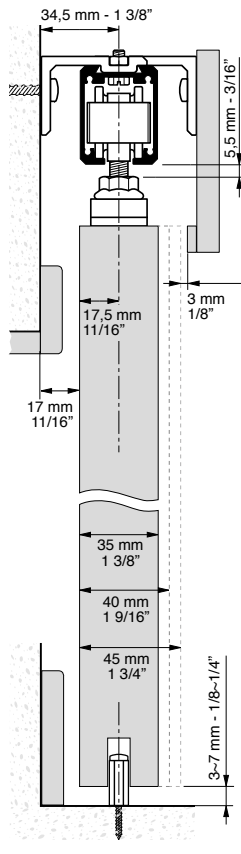
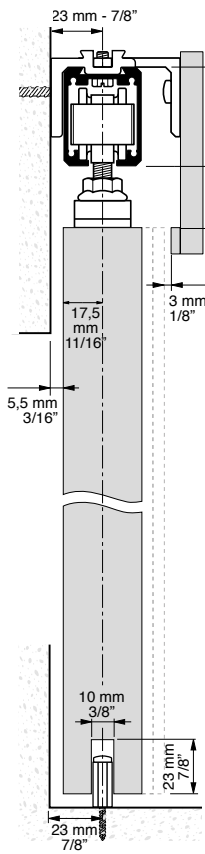
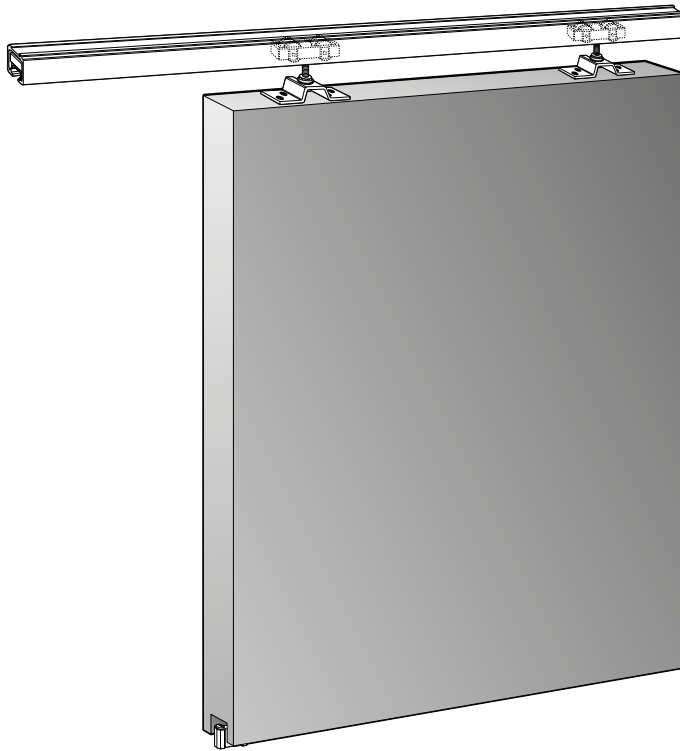
**SLID INTRA**



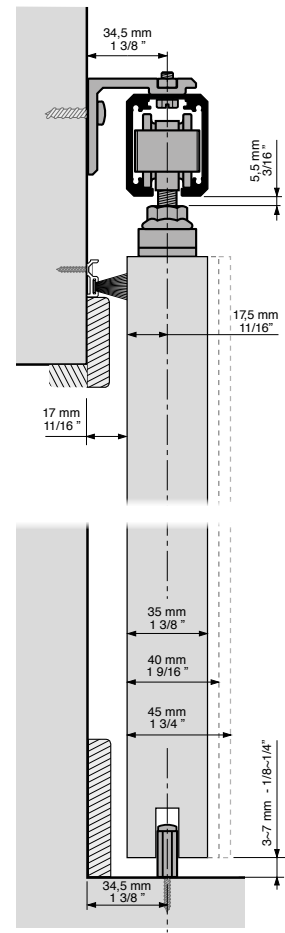
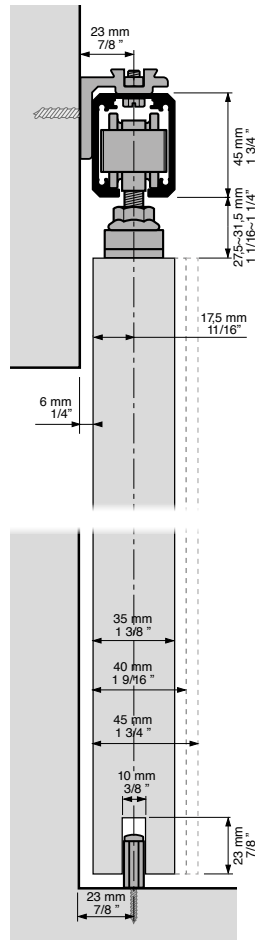
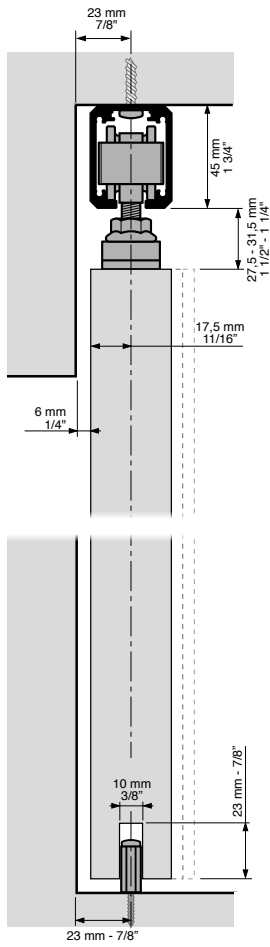
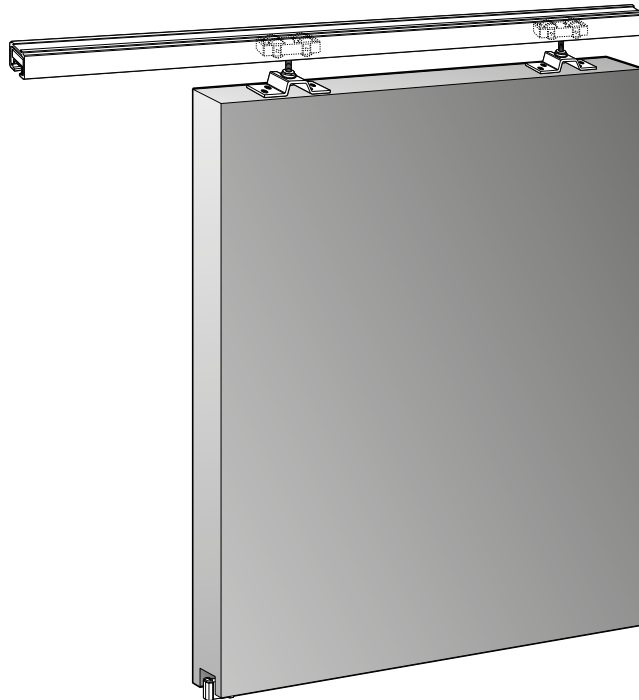
**SLID 60 SUPERIOR**



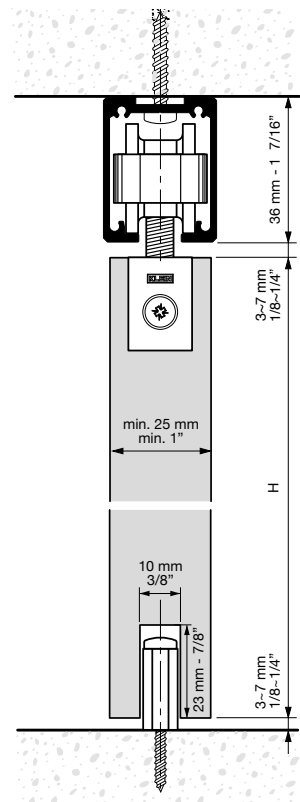
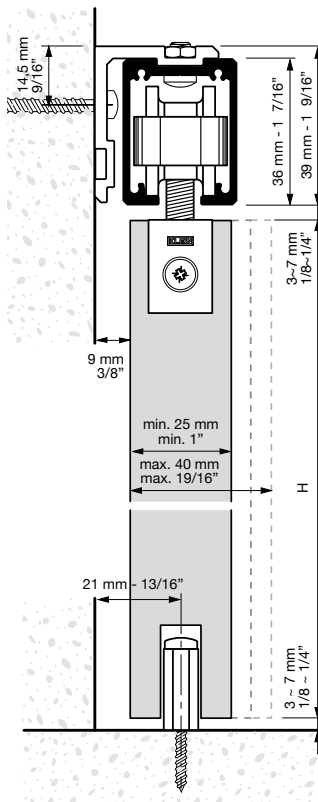
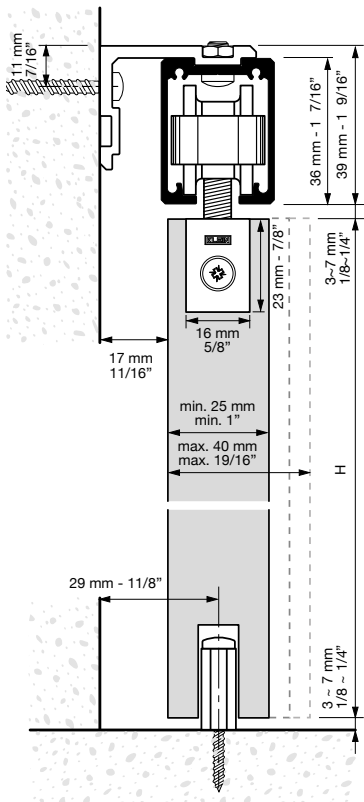
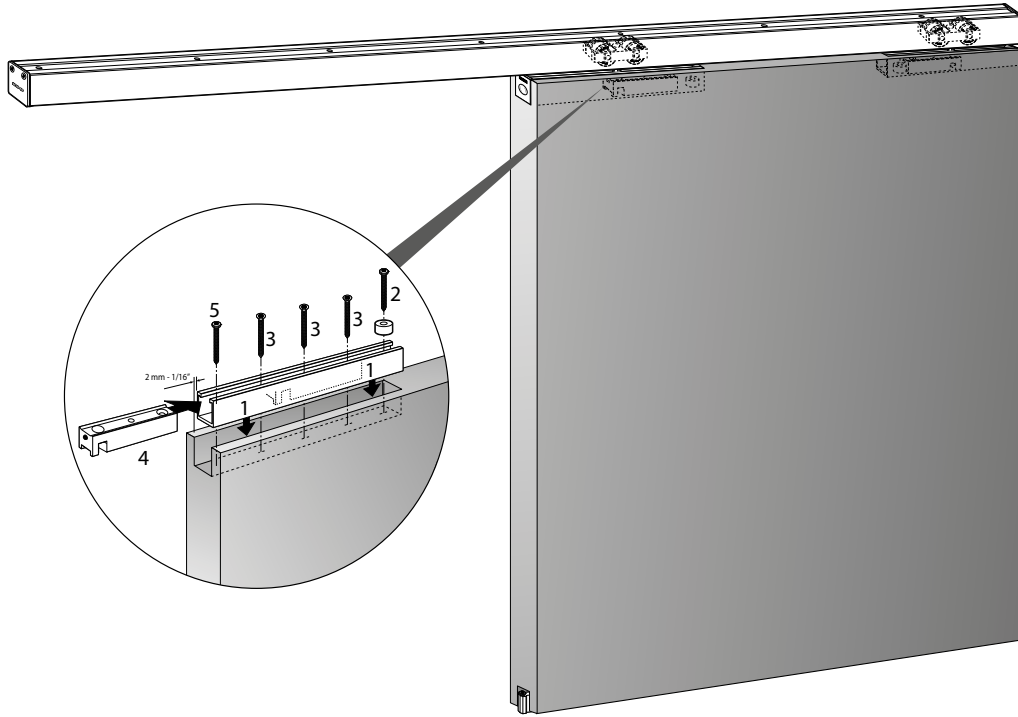
**SLID 90 SUPERIOR**



**SLID 150 SUPERIOR**

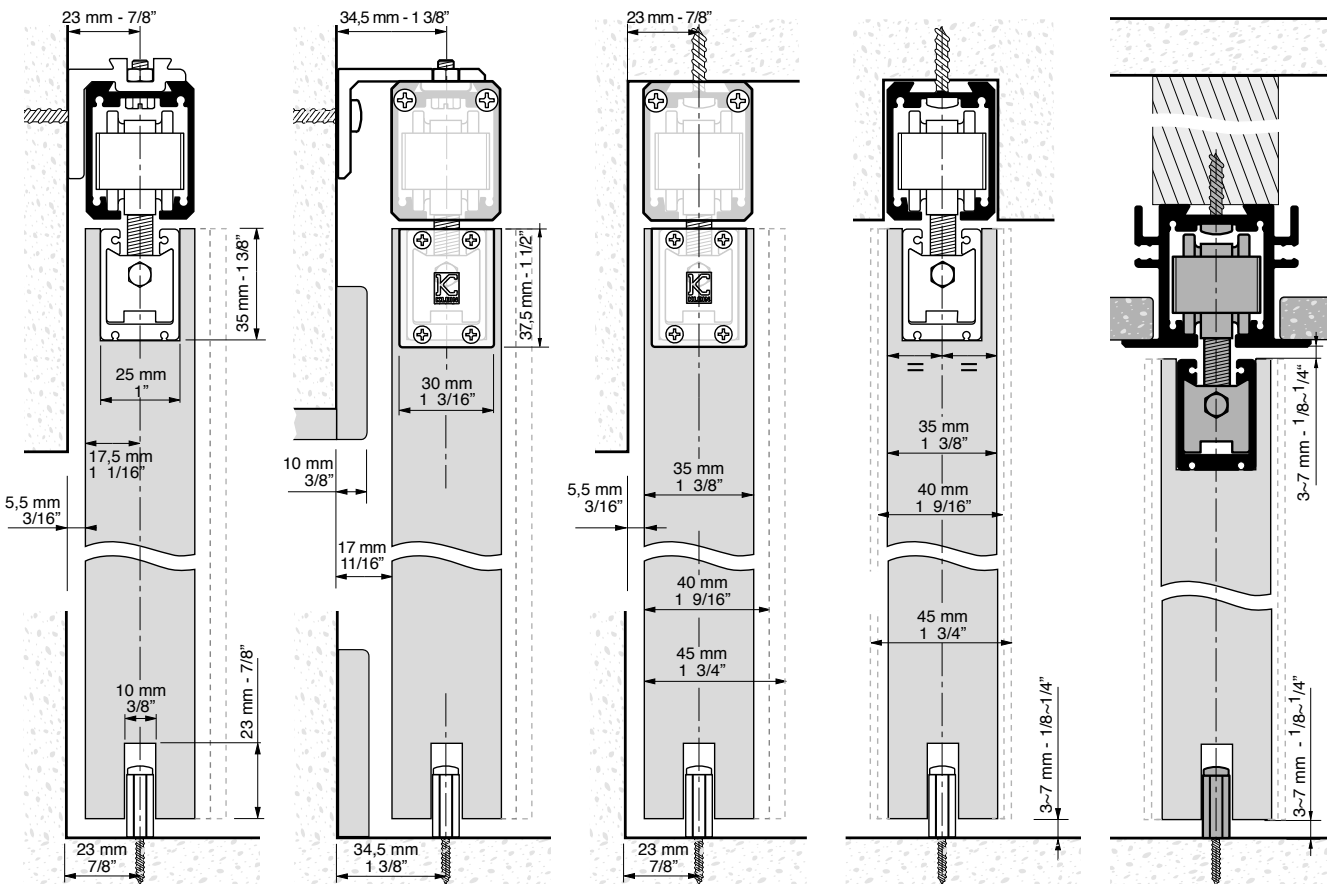
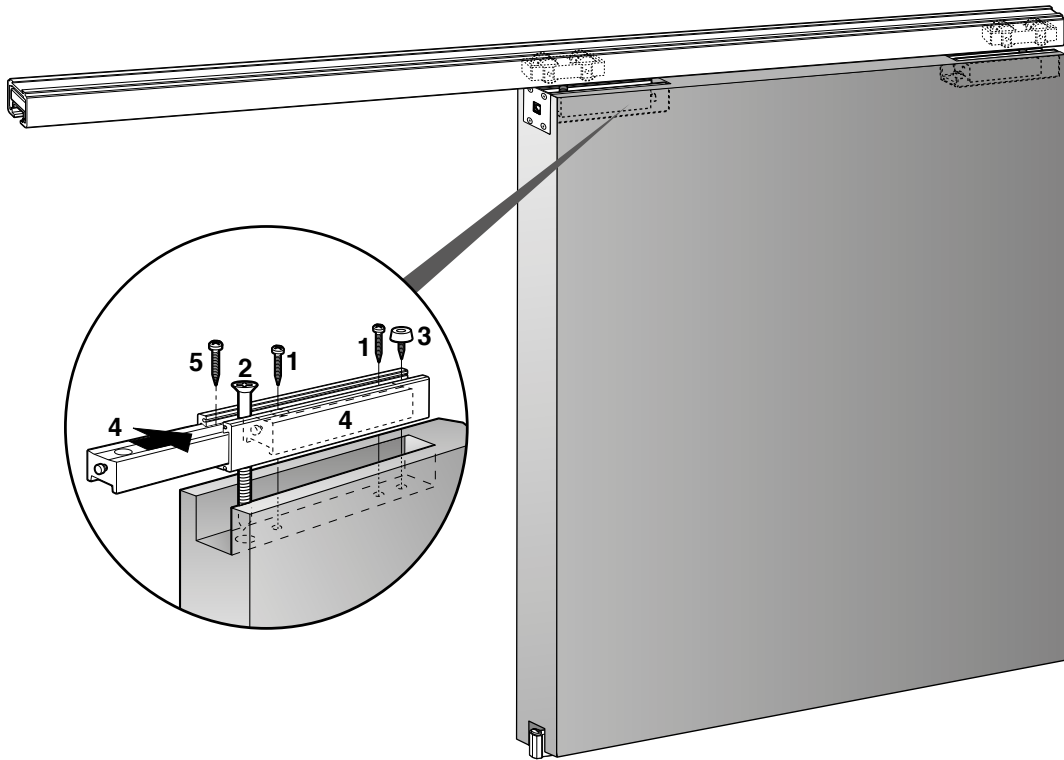


**SLID 60 RETRAC**

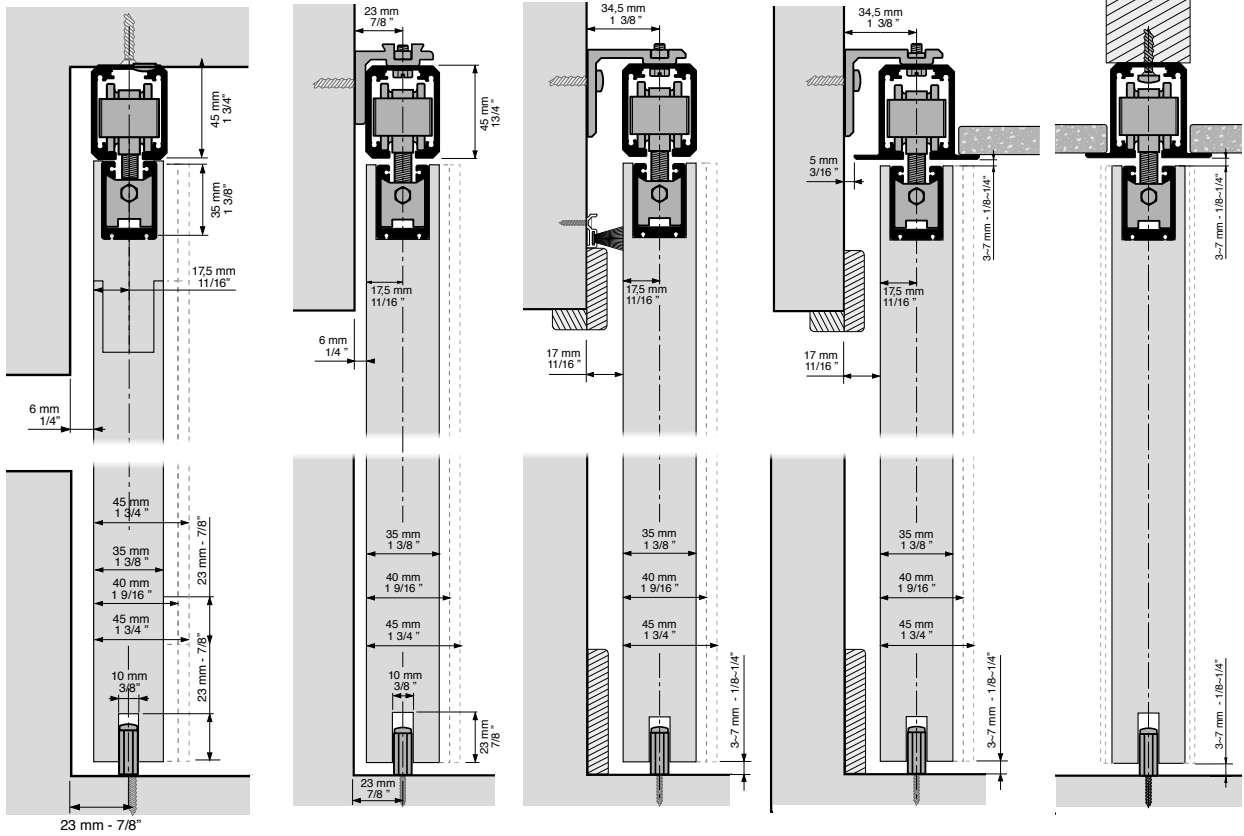
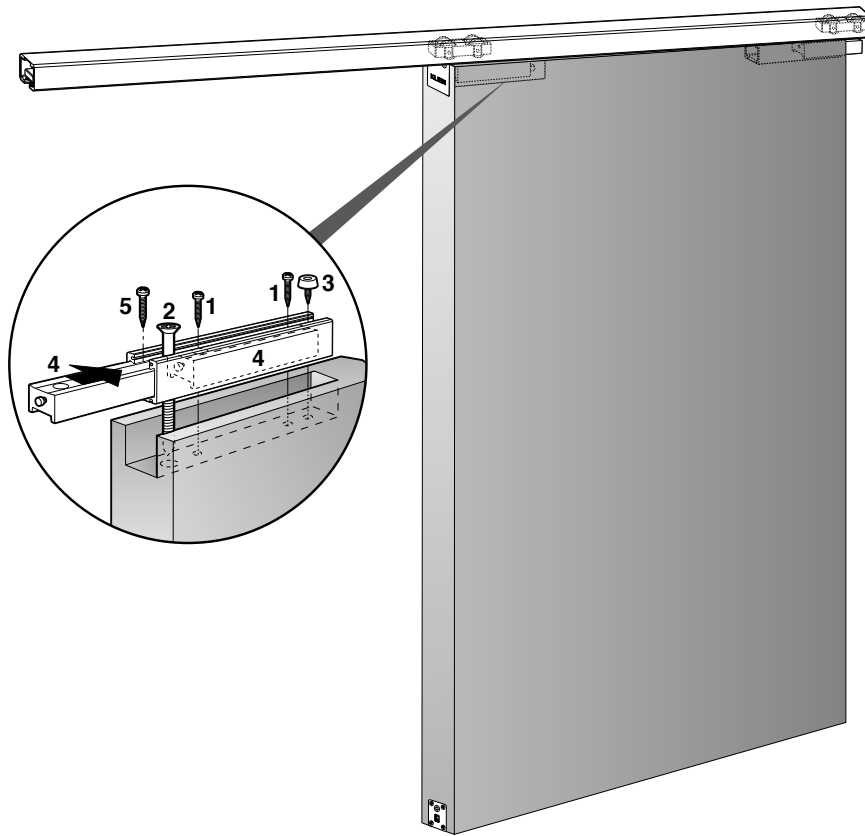




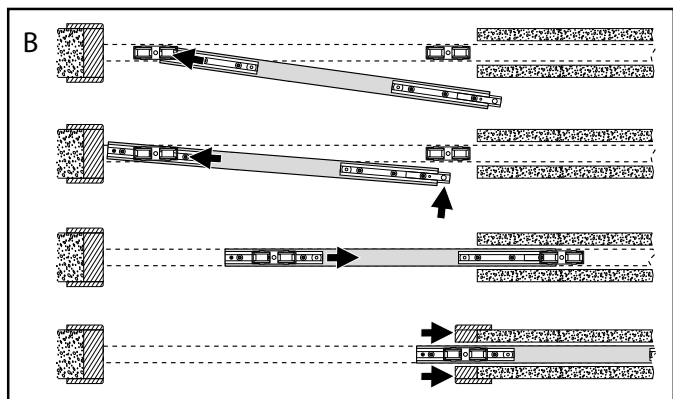
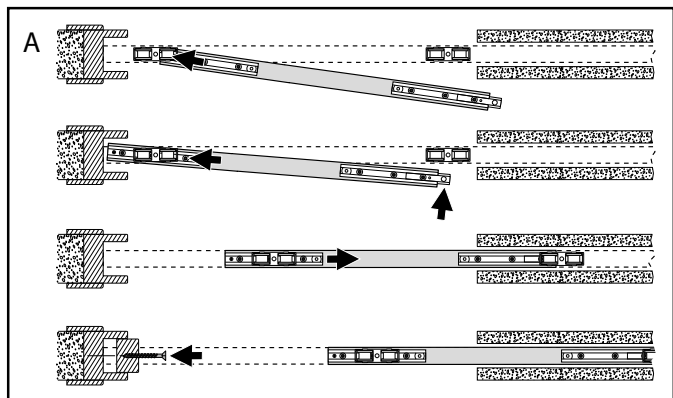
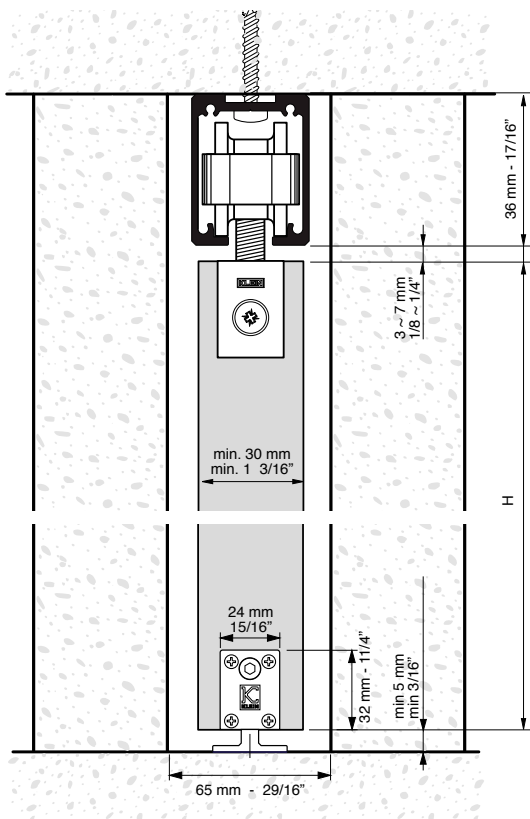
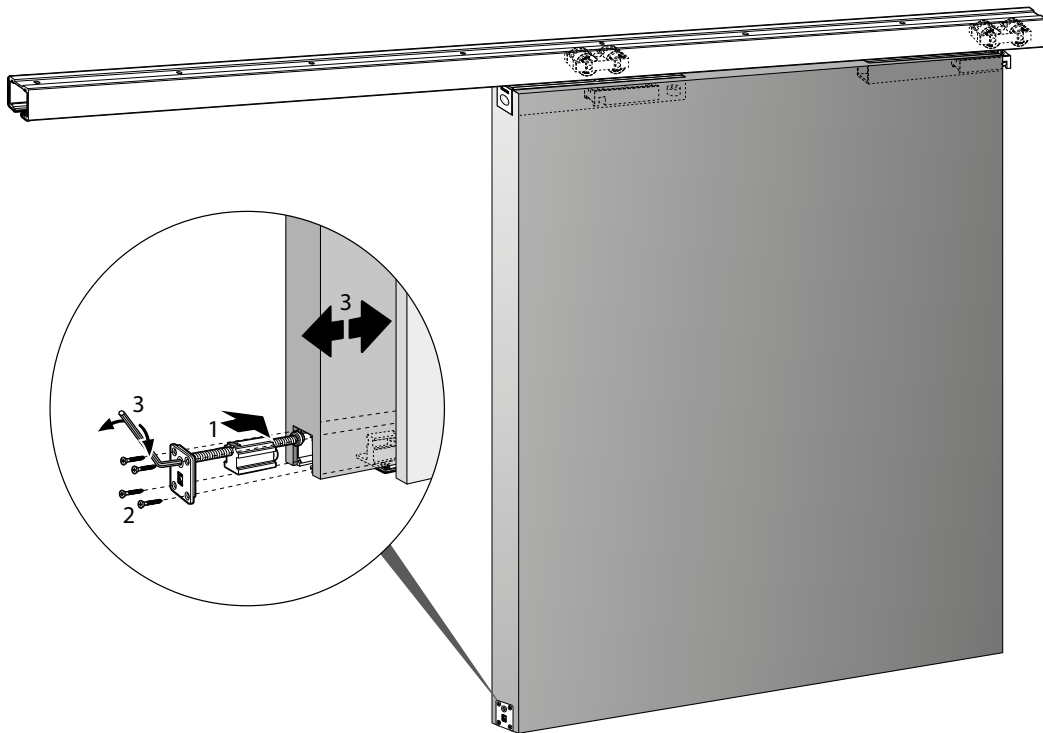
**SLID 90 RETRAC**



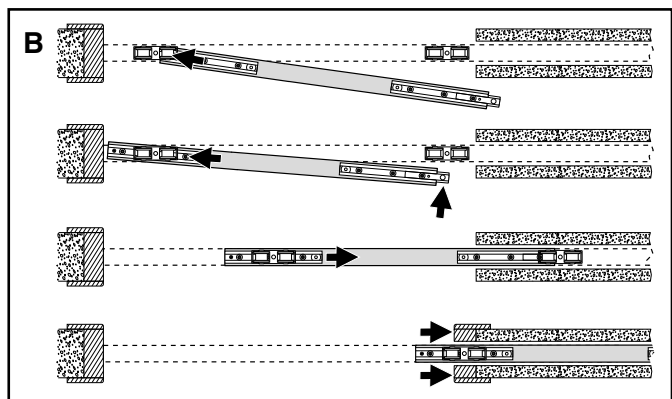
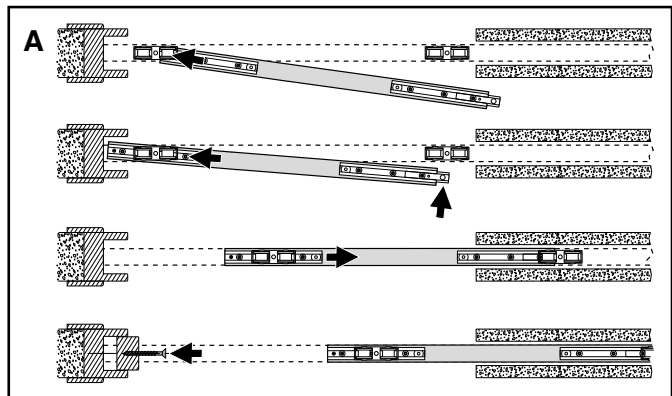
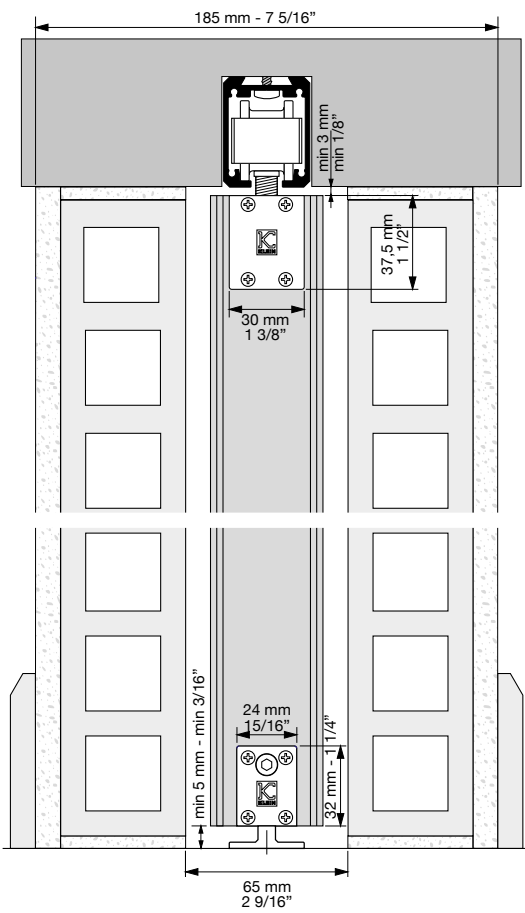
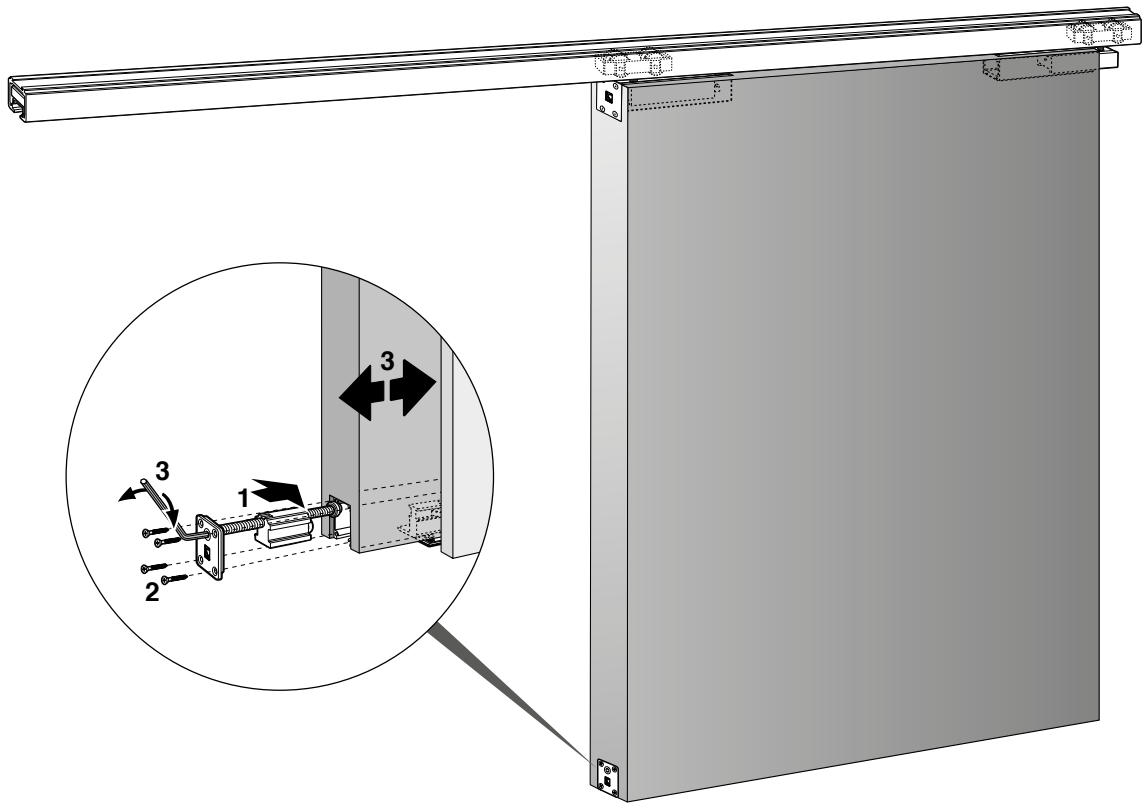
**SLID 150 RETRAC**



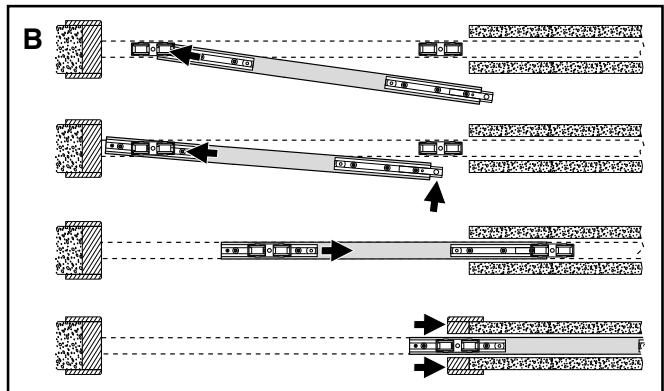
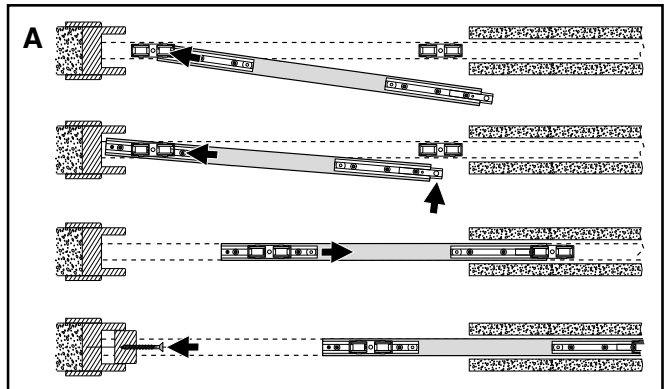
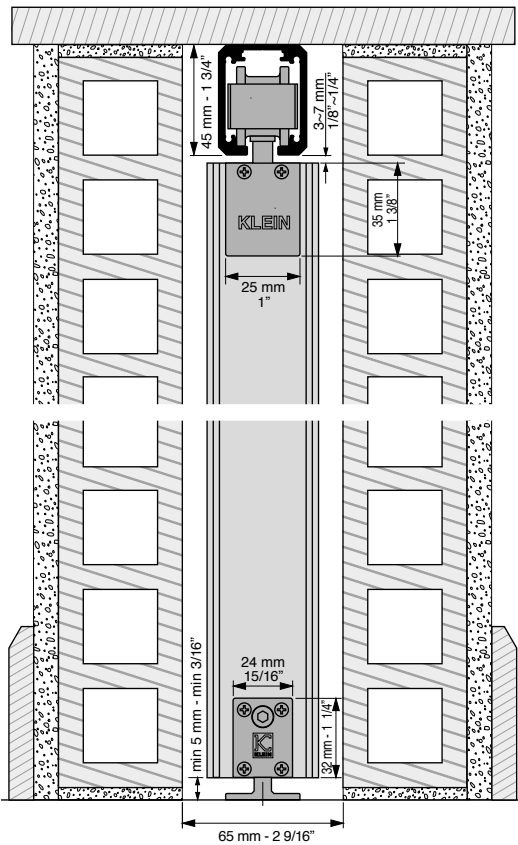
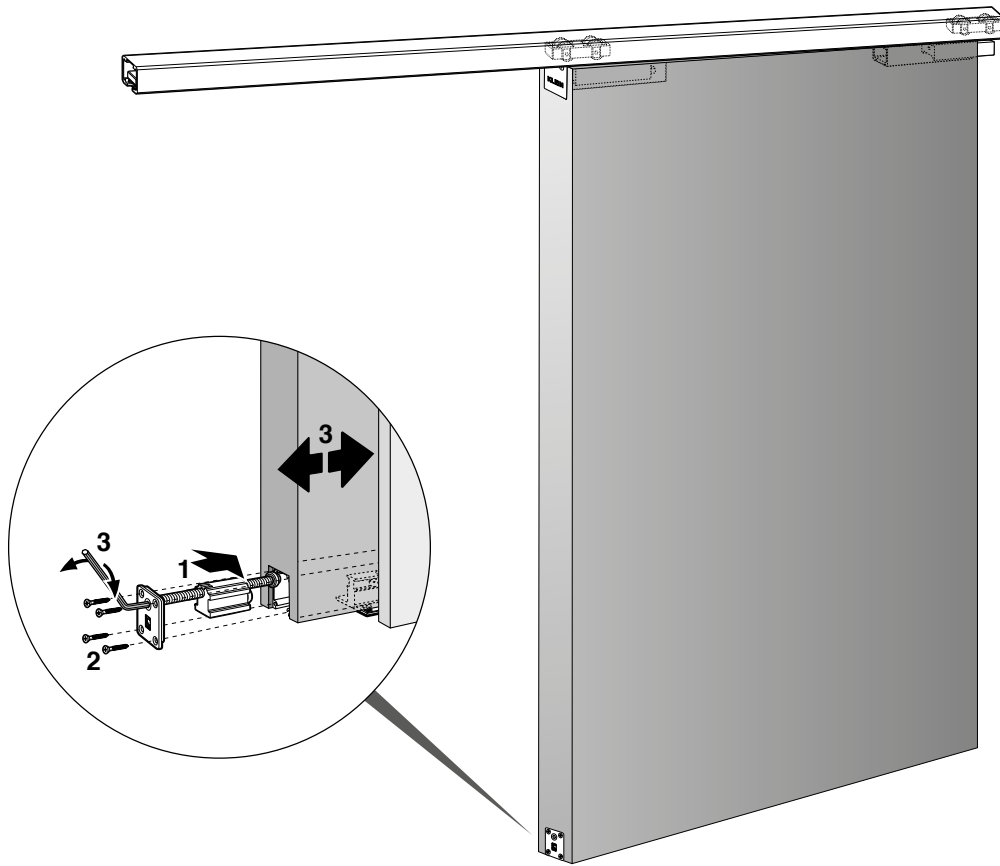
**SLID 60 INTRA**



**SLID 90 INTRA**



**SLID 150 INTRA**



REFERENCIAS / REFERENCES / RÉFÉRENCES / REFERENZ

**ESP**

SLID 60 SUPERIOR/RETRAC			
Ref.	Descripción	U.	Img.
2792	PF. ALU. ANOD. SILVER 2m	2	A
2793	PF. ALU. ANOD. SILVER 3m	2	A
2794	PF. ALU. ANOD. SILVER 4m	2	A
2796	PF. ALU. ANOD. SILVER 6m	4	A
2791	JGO. ACC. SLID 60 SUP.	10	F
2790	JGO. ACC. SLID 60 RETRAC	1	H
2795	SOPORTE PARED SLID 60	10	L
2977	PF. MARCO ALU.	1	Q

SLID 90 SUPERIOR/RETRAC			
Ref.	Descripción	U.	Img.
2742	PF. SLID 90 ALU. ANOD. SILVER 2m	1	B
2743	PF. SLID 90 ALU. ANOD. SILVER 3m	1	B
2744	PF. SLID 90 ALU. ANOD. SILVER 4m	1	B
2746	PF. SLID 90 ALU. ANOD. SILVER 6m	4	B
2747	PF. SLID 90 ALU. NATURAL 4m	1	B
2748	PF. SLID 90 ALU. NATURAL 6m	4	B
2701	JGO. ACC. SLID 90 SUP.	1	G
2705	JGO. ACC. SLID 90 RETRAC	1	I
2717	TAPAS LATERALES PF. SLID 90	1	O
3531	SOPORTE PARED 5 mm	10	N
2731	SOPORTE PARED 17 mm	10	M
2977	PF. MARCO ALU.	1	Q

SLID 150 SUPERIOR/RETRAC			
Ref.	Descripción	U.	Img.
2812	PF. SLID 150 ALU. ANOD. SILVER 2m	1	R
2813	PF. SLID 150 ALU. ANOD. SILVER 3m	1	R
2814	PF. SLID 150 ALU. ANOD. SILVER 4m	1	R
2816	PF. SLID 150 ALU. ANOD. SILVER 6m	4	R
2817	PF. SLID 150 ALU. NATURAL 4m	1	R
2818	PF. SLID 150 ALU. NATURAL 6m	4	R
2810	JGO ACC. SLID 150 SUP.	1	G
2811	JGO. ACC SLID 150 RETRAC	1	I
2830	JGO. TAPAS LAT. PF. SLID 150	1	O
3531	SOPORTE PARED 5 mm	10	N
2731	SOPORTE PARED 17 mm	10	M
2977	PF. MARCO ALU.	1	Q

SLID 60/90/150 INTRA			
Ref.	Descripción	U.	Img.
2797	INST. SLID 60 INTRA 2m	1	J
2702	INST. SLID 90 INTRA G-1 2m	1	K
2703	INST. SLID 90 INTRA G-2 3m	1	K
2704	INST. SLID 90 INTRA G-3 4m	1	K
2842	INST. SLID 150 INTRA G-1 2m	1	K
2843	INST. SLID 150 INTRA G-2 3m	1	K
2840	INST. SLID 150 INTRA G-3 4m	1	K
2977	PF. MARCO ALU.	1	Q

SLID 90 TOP			
Ref.	Descripción	U.	Img.
2712	PF. SLID TOP ALU. ANOD. SILVER 2m	1	C
2713	PF. SLID TOP ALU. ANOD. SILVER 3m	1	C
2714	PF. SLID TOP ALU. ANOD. SILVER 4m	1	C
2716	PF. SLID TOP ALU. ANOD. SILVER 6m	1	C
2722	PF.+ 1 GAL. SLID TOP ALU. ANOD. SILVER 2m	1	D
2723	PF.+ 1 GAL. SLID TOP ALU. ANOD. SILVER 3m	1	D
2724	PF.+ 1 GAL. SLID TOP ALU. ANOD. SILVER 4m	1	D
2726	PF.+ 1 GAL. SLID TOP ALU. ANOD. SILVER 6m	1	D
2732	PF.+ 2 GAL. SLID TOP ALU. ANOD. SILVER 2m	1	E
2733	PF.+ 2 GAL. SLID TOP ALU. ANOD. SILVER 3m	1	E
2734	PF.+ 2 GAL. SLID TOP ALU. ANOD. SILVER 4m	1	E
2736	PF.+ 2 GAL. SLID TOP ALU. ANOD. SILVER 6m	1	E
2701	JGO. ACC. SLID 90 SUP.	1	G
2705	JGO. ACC. SLID 90 RETRAC	1	I
2737	TAPAS LATERALES PF. SLID TOP	1	P
2731	SOPORTE PARED 17mm	10	M
2977	PF. MARCO ALU.	1	Q

SLID 150 TOP			
Ref.	Descripción	U.	Img.
2832	PF. SLID 150 TOP ALU. ANOD. SILVER 2m	1	S
2833	PF. SLID 150 TOP ALU. ANOD. SILVER 3m	1	S
2834	PF. SLID 150 TOP ALU. ANOD. SILVER 4m	1	S
2836	PF. SLID 150 TOP ALU. ANOD. SILVER 6m	1	S
2810	JGO ACC. SLID 150 SUP.	1	G
2811	JGO. ACC SLID 150 RETRAC	1	I
2830	JGO. TAPAS LAT. PF. SLID 150	1	O
2731	SOPORTE PARED 17mm	10	M
2977	PF. MARCO ALU.	1	Q

## ENG

SLID 60 SUPERIOR/RETRAC			
Ref.	Description	Units	Img.
2792	PF. ALU. ANOD. SILVER 2m	2	A
2793	PF. ALU. ANOD. SILVER 3m	2	A
2794	PF. ALU. ANOD. SILVER 4m	2	A
2796	PF. ALU. ANOD. SILVER 6m	4	A
2791	SET OF ACC. SLID 60 SUP.	10	F
2790	SET OF ACC. SLID 60 RETRAC	1	H
2795	WALL BRACKET SLID 60	10	L
2977	BRUSH SEALING	1	Q

SLID 90 SUPERIOR/RETRAC			
Ref.	Description	Units	Img.
2742	PF. SLID 90 ALU. ANOD. SILVER 2m	1	B
2743	PF. SLID 90 ALU. ANOD. SILVER 3m	1	B
2744	PF. SLID 90 ALU. ANOD. SILVER 4m	1	B
2746	PF. SLID 90 ALU. ANOD. SILVER 6m	4	B
2747	PF. SLID 90 ALU. NATURAL 4m	1	B
2748	PF. SLID 90 ALU. NATURAL 6m	4	B
2701	SET OF ACC. SLID 90 SUP.	1	G
2705	SET OF ACC. SLID 90 RETRAC	1	I
2717	LATERAL COVERS PF. SLID 90	1	O
3531	WALL BRACKET 5 mm	10	N
2731	WALL BRACKET 17 mm	10	M
2977	BRUSH SEALING	1	Q

SLID 150 SUPERIOR/RETRAC			
Ref.	Description	Units	Img.
2812	PF. SLID 150 ALU. ANOD. SILVER 2m	1	R
2813	PF. SLID 150 ALU. ANOD. SILVER 3m	1	R
2814	PF. SLID 150 ALU. ANOD. SILVER 4m	1	R
2816	PF. SLID 150 ALU. ANOD. SILVER 6m	4	R
2817	PF. SLID 150 ALU. NATURAL 4m	1	R
2818	PF. SLID 150 ALU. NATURAL 6m	4	R
2810	JGO ACC. SLID 150 SUP.	1	G
2811	JGO. ACC SLID 150 RETRAC	1	I
2830	JGO. TAPAS LAT. PF. SLID 150	1	O
3531	SOPORTE PARED 5 mm	10	N
2731	SOPORTE PARED 17 mm	10	M
2977	PF. MARCO ALU.	1	Q

SLID 60/90/150 INTRA			
Ref.	Description	Units	Img.
2797	INST. SLID 60 INTRA 2m	1	J
2702	INST. SLID 90 INTRA G-1 2m	1	K
2703	INST. SLID 90 INTRA G-2 3m	1	K
2704	INST. SLID 90 INTRA G-3 4m	1	K
2842	INST. SLID 150 INTRA G-1 2m	1	K
2843	INST. SLID 150 INTRA G-2 3m	1	K
2840	INST. SLID 150 INTRA G-3 4m	1	K
2977	BRUSH SEALING	1	Q

SLID 90 TOP			
Ref.	Description	Units	Img.
2712	PF. SLID TOP ALU. ANOD. SILVER 2m	1	C
2713	PF. SLID TOP ALU. ANOD. SILVER 3m	1	C
2714	PF. SLID TOP ALU. ANOD. SILVER 4m	1	C
2716	PF. SLID TOP ALU. ANOD. SILVER 6m	1	C
2722	PF.+ 1 COVER SLID TOP ALU. ANOD. SILVER 2m	1	D
2723	PF.+ 1 COVER SLID TOP ALU. ANOD. SILVER 3m	1	D
2724	PF.+ 1 COVER SLID TOP ALU. ANOD. SILVER 4m	1	D
2726	PF.+ 1 COVER SLID TOP ALU. ANOD. SILVER 6m	1	D
2732	PF.+ 2 COVERS SLID TOP ALU. ANOD. SILVER 2m	1	E
2733	PF.+ 2 COVERS SLID TOP ALU. ANOD. SILVER 3m	1	E
2734	PF.+ 2 COVERS SLID TOP ALU. ANOD. SILVER 4m	1	E
2736	PF.+ 2 COVERS SLID TOP ALU. ANOD. SILVER 6m	1	E
2701	SET OF ACC. SLID 90 SUP.	1	G
2705	SET OF ACC. SLID 90 RETRAC	1	I
2737	LATERAL COVERS PF. SLID TOP	1	P
2731	WALL BRACKET 17mm	10	M
2977	BRUSH SEALING	1	Q

SLID 150 TOP			
Ref.	Description	Units	Img.
2832	PF. SLID 150 TOP ALU. ANOD. SILVER 2m	1	S
2833	PF. SLID 150 TOP ALU. ANOD. SILVER 3m	1	S
2834	PF. SLID 150 TOP ALU. ANOD. SILVER 4m	1	S
2836	PF. SLID 150 TOP ALU. ANOD. SILVER 6m	1	S
2810	JGO ACC. SLID 150 SUP.	1	G
2811	JGO. ACC SLID 150 RETRAC	1	I
2830	JGO. TAPAS LAT. PF. SLID 150	1	O
2731	SOPORTE PARED 17mm	10	M
2977	PF. MARCO ALU.	1	Q

REFERENCIAS / REFERENCES / RÉFÉRENCES / REFERENZ

**FRA**

SLID 60 SUPERIOR/RETRAC			
Ref.	Description	Unités	Img.
2792	RAIL ALU. ANOD. SILVER 2m	2	A
2793	RAIL ALU. ANOD. SILVER 3m	2	A
2794	RAIL ALU. ANOD. SILVER 4m	2	A
2796	RAIL ALU. ANOD. SILVER 6m	4	A
2791	JEU ACC. SLID 60 SUP.	10	F
2790	JEU ACC. SLID 60 RETRAC	1	H
2795	SUPPORT MURAL SLID 60	10	L
2977	JOINT D'ENCADREMENT BALAI	1	Q

SLID 90 SUPERIOR/RETRAC			
Ref.	Description	Unités	Img.
2742	RAIL SLID 90 ALU. ANOD. SILVER 2m	1	B
2743	RAIL SLID 90 ALU. ANOD. SILVER 3m	1	B
2744	RAIL SLID 90 ALU. ANOD. SILVER 4m	1	B
2746	RAIL SLID 90 ALU. ANOD. SILVER 6m	4	B
2747	RAIL SLID 90 ALU. NATURAL 4m	1	B
2748	RAIL SLID 90 ALU. NATURAL 6m	4	B
2701	JEU ACC. SLID 90 SUP.	1	G
2705	JEU ACC. SLID 90 RETRAC	1	I
2717	CACHES LATERAUX RAIL SLID 90	1	O
3531	SUPPORT MURAL 5 mm	10	N
2731	SUPPORT MURAL 17 mm	10	M
2977	JOINT D'ENCADREMENT BALAI	1	Q

SLID 150 SUPERIOR/RETRAC			
Ref.	Description	Unités	Img.
2812	PF. SLID 150 ALU. ANOD. SILVER 2m	1	R
2813	PF. SLID 150 ALU. ANOD. SILVER 3m	1	R
2814	PF. SLID 150 ALU. ANOD. SILVER 4m	1	R
2816	PF. SLID 150 ALU. ANOD. SILVER 6m	4	R
2817	PF. SLID 150 ALU. NATURAL 4m	1	R
2818	PF. SLID 150 ALU. NATURAL 6m	4	R
2810	JGO ACC. SLID 150 SUP.	1	G
2811	JGO. ACC SLID 150 RETRAC	1	I
2830	JGO. TAPAS LAT. PF. SLID 150	1	O
3531	SOPORTE PARED 5 mm	10	N
2731	SOPORTE PARED 17 mm	10	M
2977	PF. MARCO ALU.	1	Q

SLID 60/90/150 INTRA			
Ref.	Description	Unités	Img.
2797	INST. SLID 60 INTRA 2m	1	J
2702	INST. SLID 90 INTRA G-1 2m	1	K
2703	INST. SLID 90 INTRA G-2 3m	1	K
2704	INST. SLID 90 INTRA G-3 4m	1	K
2842	INST. SLID 150 INTRA G-1 2m	1	K
2843	INST. SLID 150 INTRA G-2 3m	1	K
2840	INST. SLID 150 INTRA G-3 4m	1	K
2977	JOINT D'ENCADREMENT BALAI	1	Q

SLID 90 TOP			
Ref.	Description	Unités	Img.
2712	RAIL SLID TOP ALU. ANOD. SILVER 2m	1	C
2713	RAIL SLID TOP ALU. ANOD. SILVER 3m	1	C
2714	RAIL SLID TOP ALU. ANOD. SILVER 4m	1	C
2716	RAIL SLID TOP ALU. ANOD. SILVER 6m	1	C
2722	RAIL+ 1 GAL. SLID TOP ALU. ANOD. SILVER 2m	1	D
2723	RAIL+ 1 GAL. SLID TOP ALU. ANOD. SILVER 3m	1	D
2724	RAIL+ 1 GAL. SLID TOP ALU. ANOD. SILVER 4m	1	D
2726	RAIL+ 1 GAL. SLID TOP ALU. ANOD. SILVER 6m	1	D
2732	RAIL+ 2 GAL. SLID TOP ALU. ANOD. SILVER 2m	1	E
2733	RAIL+ 2 GAL. SLID TOP ALU. ANOD. SILVER 3m	1	E
2734	RAIL+ 2 GAL. SLID TOP ALU. ANOD. SILVER 4m	1	E
2736	RAIL+ 2 GAL. SLID TOP ALU. ANOD. SILVER 6m	1	E
2701	JEU ACC. SLID 90 SUP.	1	G
2705	JEU ACC. SLID 90 RETRAC	1	I
2737	CACHES LATERAUX RAIL SLID TOP	1	P
2731	SUPPORT MURAL 17mm	10	M
2977	JOINT D'ENCADREMENT BALAI	1	Q

SLID 150 TOP			
Ref.	Description	Unités	Img.
2832	PF. SLID 150 TOP ALU. ANOD. SILVER 2m	1	S
2833	PF. SLID 150 TOP ALU. ANOD. SILVER 3m	1	S
2834	PF. SLID 150 TOP ALU. ANOD. SILVER 4m	1	S
2836	PF. SLID 150 TOP ALU. ANOD. SILVER 6m	1	S
2810	JGO ACC. SLID 150 SUP.	1	G
2811	JGO. ACC SLID 150 RETRAC	1	I
2830	JGO. TAPAS LAT. PF. SLID 150	1	O
2731	SOPORTE PARED 17mm	10	M
2977	PF. MARCO ALU.	1	Q



## DEU

SLID 60 SUPERIOR/RETRAC			
Ref.	Beschreibung	Ein.	Bild
2792	PF. ALU. ANOD. SILBER 2m	2	A
2793	PF. ALU. ANOD. SILBER 3m	2	A
2794	PF. ALU. ANOD. SILBER 4m	2	A
2796	PF. ALU. ANOD. SILBER 6m	4	A
2791	ZUBEHÖRSET SLID 60 SUP.	10	F
2790	ZUBEHÖRSET SLID 60 RETRAC	1	H
2795	WANDBEFESTIGUNG SLID 60	10	L
2977	ISOLIERPF. ALU-RAHMEN	1	Q

SLID 90 SUPERIOR/RETRAC			
Ref.	Beschreibung	Ein.	Bild
2742	PF. SLID 90 ALU. ANOD. SILBER 2m	1	B
2743	PF. SLID 90 ALU. ANOD. SILBER 3m	1	B
2744	PF. SLID 90 ALU. ANOD. SILBER 4m	1	B
2746	PF. SLID 90 ALU. ANOD. SILBER 6m	4	B
2747	PF. SLID 90 ALU. NATURAL 4m	1	B
2748	PF. SLID 90 ALU. NATURAL 6m	4	B
2701	ZUBEHÖRSET SLID 90 SUP.	1	G
2705	ZUBEHÖRSET SLID 90 RETRAC	1	I
2717	SEITENABDECKUNGEN FÜR PF. SLID 90	1	O
3531	WANDBEFESTIGUNG 5 mm	10	N
2731	WANDBEFESTIGUNG 17 mm	10	M
2977	ISOLIERPF. ALU-RAHMEN	1	Q

SLID 150 SUPERIOR/RETRAC			
Ref.	Beschreibung	Ein.	Bild
2812	PF. SLID 150 ALU. ANOD. SILVER 2m	1	R
2813	PF. SLID 150 ALU. ANOD. SILVER 3m	1	R
2814	PF. SLID 150 ALU. ANOD. SILVER 4m	1	R
2816	PF. SLID 150 ALU. ANOD. SILVER 6m	4	R
2817	PF. SLID 150 ALU. NATURAL 4m	1	R
2818	PF. SLID 150 ALU. NATURAL 6m	4	R
2810	JGO ACC. SLID 150 SUP.	1	G
2811	JGO. ACC SLID 150 RETRAC	1	I
2830	JGO. TAPAS LAT. PF. SLID 150	1	O
3531	SOPORTE PARED 5 mm	10	N
2731	SOPORTE PARED 17 mm	10	M
2977	PF. MARCO ALU.	1	Q

SLID 60/90/150 INTRA			
Ref.	Beschreibung	Ein.	Bild
2797	INST. SLID 60 INTRA 2m	1	J
2702	INST. SLID 90 INTRA G-1 2m	1	K
2703	INST. SLID 90 INTRA G-2 3m	1	K
2704	INST. SLID 90 INTRA G-3 4m	1	K
2842	INST. SLID 150 INTRA G-1 2m	1	K
2843	INST. SLID 150 INTRA G-2 3m	1	K
2840	INST. SLID 150 INTRA G-3 4m	1	K
2977	ISOLIERPF. ALU-RAHMEN	1	Q

SLID 90 TOP			
Ref.	Beschreibung	Ein.	Bild
2712	PF. SLID TOP ALU. ANOD. SILBER 2m	1	C
2713	PF. SLID TOP ALU. ANOD. SILBER 3m	1	C
2714	PF. SLID TOP ALU. ANOD. SILBER 4m	1	C
2716	PF. SLID TOP ALU. ANOD. SILBER 6m	1	C
2722	PF.+ 1 ABDECKUNGEN SLID TOP ALU. ANOD. SILBER 2m	1	D
2723	PF.+ 1 ABDECKUNGEN SLID TOP ALU. ANOD. SILBER 3m	1	D
2724	PF.+ 1 ABDECKUNGEN SLID TOP ALU. ANOD. SILBER 4m	1	D
2726	PF.+ 1 ABDECKUNGEN SLID TOP ALU. ANOD. SILBER 6m	1	D
2732	PF.+ 2 ABDECKUNGEN SLID TOP ALU. ANOD. SILBER 2m	1	E
2733	PF.+ 2 ABDECKUNGEN SLID TOP ALU. ANOD. SILBER 3m	1	E
2734	PF.+ 2 ABDECKUNGEN SLID TOP ALU. ANOD. SILBER 4m	1	E
2736	PF.+ 2 ABDECKUNGEN SLID TOP ALU. ANOD. SILBER 6m	1	E
2701	ZUBEHÖRSET SLID 90 SUP.	1	G
2705	ZUBEHÖRSET SLID 90 RETRAC	1	I
2737	SEITENABDECKUNGEN FÜR PF. SLID TOP	1	P
2731	WANDBEFESTIGUNG 17mm	10	M
2977	ISOLIERPF. ALU-RAHMEN	1	Q

SLID 150 TOP			
Ref.	Beschreibung	Ein.	Bild
2832	PF. SLID 150 TOP ALU. ANOD. SILVER 2m	1	S
2833	PF. SLID 150 TOP ALU. ANOD. SILVER 3m	1	S
2834	PF. SLID 150 TOP ALU. ANOD. SILVER 4m	1	S
2836	PF. SLID 150 TOP ALU. ANOD. SILVER 6m	1	S
2810	JGO ACC. SLID 150 SUP.	1	G
2811	JGO. ACC SLID 150 RETRAC	1	I
2830	JGO. TAPAS LAT. PF. SLID 150	1	O
2731	SOPORTE PARED 17mm	10	M
2977	PF. MARCO ALU.	1	Q

REFERENCIAS / REFERENCES / RÉFÉRENCES / REFERENZ



A



B



C



D



E



F



G



H



I



J



K



L



M



N



O



P



Q



R



S

# KLEIN®

**KLEIN EUROPE**  
Edificio KLEIN  
Polígono Industrial Can Cuyás  
N-150 Km. 1  
08110 Montcada i Reixac  
Barcelona (Spain)

Tel.: +34 935 760 101  
Fax: +34 935 760 109

+Info  
klein@klein.es  
**www.klein.es**

Síguenos en redes  
Follow us on social media

