

Sistema de puertas correderas
Sliding doors system
Système de portes coulissantes
Schiebetür System



K

Diseño Industrial
Industrial Design
Design Industriel
Gewerbliche Verwendung



ESP

K está diseñado para dividir ambientes a través de un panel de madera o de metal para proyectos industriales.

- Ideal para aperturas en almacenes industriales, garajes, trasteros...
- Sistema que se caracteriza por robustez y durabilidad.
- Perfil de acero "Neocrom" (K40/75, K150/300, K500) o "Sendzimir" (K40/75, K150/300).
- Perfil inferior disponible para un mejor deslizamiento de las puertas anchas.
- Rodamientos de bolas (K500) o "Full Ball Bearings" (K40/75, K150/300).
- Puertas hasta 500 Kg.
- Instalación a pared o a techo.

Sistemas testados hasta 100.000 ciclos según la norma EN1527.

FRA

K a été conçu pour la distribution d'espaces, avec un panneau en bois ou en métal, de projets industriels.

- Idéal pour ouverture d'entrepôts industriels, de garages, pièces de débarras...
- Système qui se caractérise par la robustesse et la durabilité.
- Rail en acier "Neocrom" (K40/75, K150/300, K500) ou "Sendzimir" (K40/75, K150/300).
- Rail inférieur disponible pour meilleur coulissement des portes très larges.
- Roulement à billes (K500) ou "Full Ball Bearings" (K40/75, K150/300).
- Pour portes jusqu'à 500 Kg.
- Installation au mur ou au plafond.

Systèmes testés jusqu'à 100.000 cycles selon la norme EN1527.

ENG

K has been designed to separate rooms by a wooden or metal panel and is ideal for industrial projects.

- Ideal for entrances to industrial warehouses, garages, storerooms, etc.
- Robustness and durability.
- "Neocrom" (K40/75, K150/300, K500) or "Sendzimir" (K40/75, K150/300) steel profile.
- Lower profile available to improve the sliding action of wide doors.
- Ball bearing system (K500) or Full Ball Bearing (K40/75, K150/300).
- Supports doors up to 500 Kg.
- Wall or ceiling mounted.

Systems tested up to 100.000 cycles as per standard EN1527.

DEU

K ist dafür ausgelegt, bei industriellen Projekten oder begrenztem Budget ein Ambiente durch ein Holz-oder Metallpaneel abzutheilen.

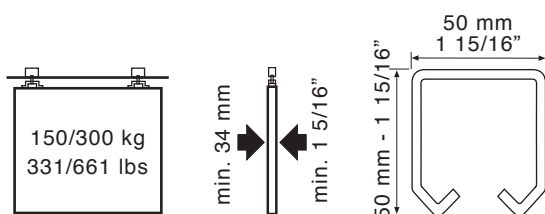
- Ideal für Öffnungen in Industrielagern, Garagen, Abstellräumen...
- Das System legt Wert auf Robustheit und Haltbarkeit.
- "Neocrom" Stahlprofil (K40/75, K150/300, K500) oder "Sendzimir" (K40/75, K150/300).
- Bodenlaufschiene zum besseren Gleiten breiter Türen erhältlich.
- Kugellager (K500) oder „Full Ball Bearings“ Kugellager (K40/75, K150/300).
- Türen bis 500 Kg.
- Wand-oder Deckenmontage.

Systeme gemäß der Norm EN1527 bis 100.000 Zyklen getestet.

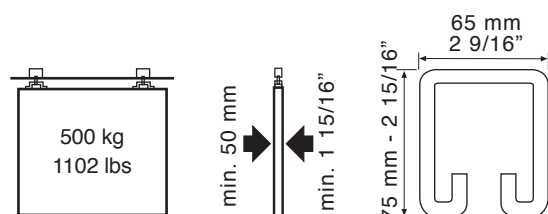
K 40/75



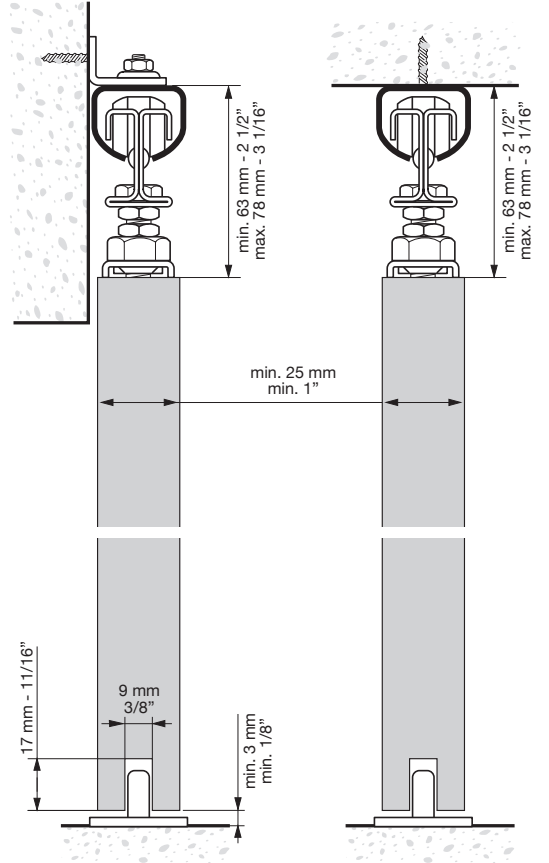
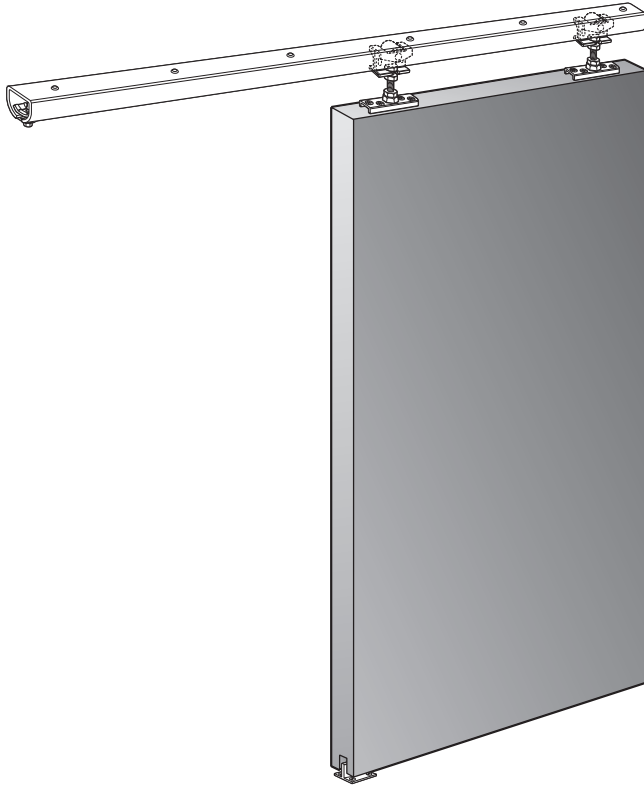
K 150/300



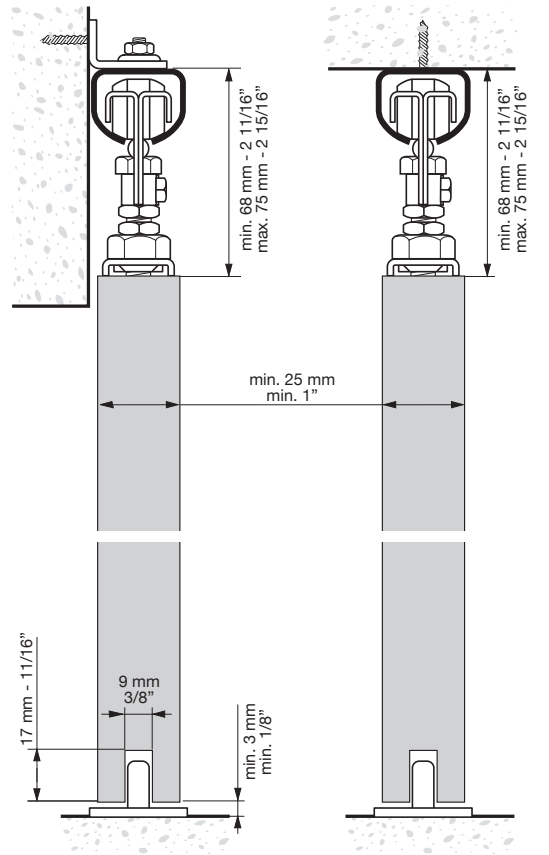
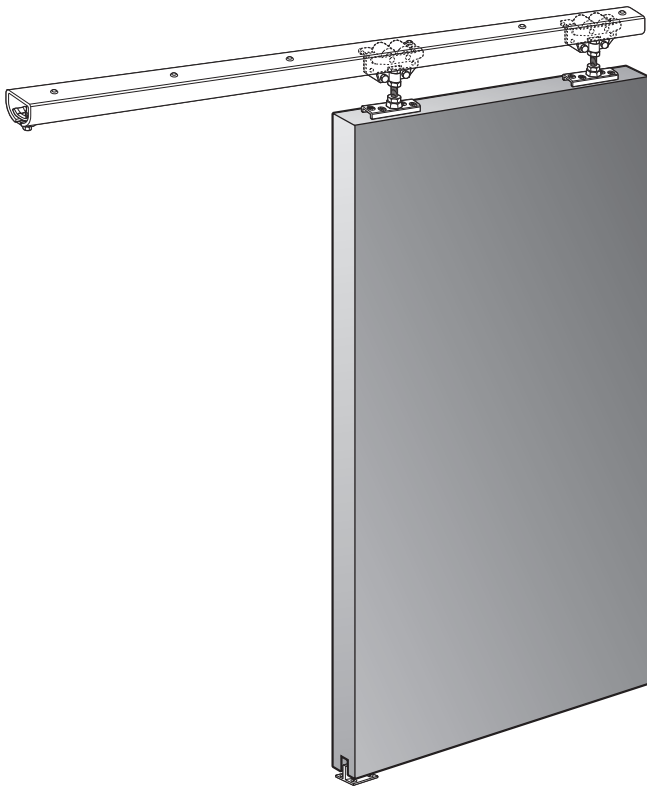
K 500



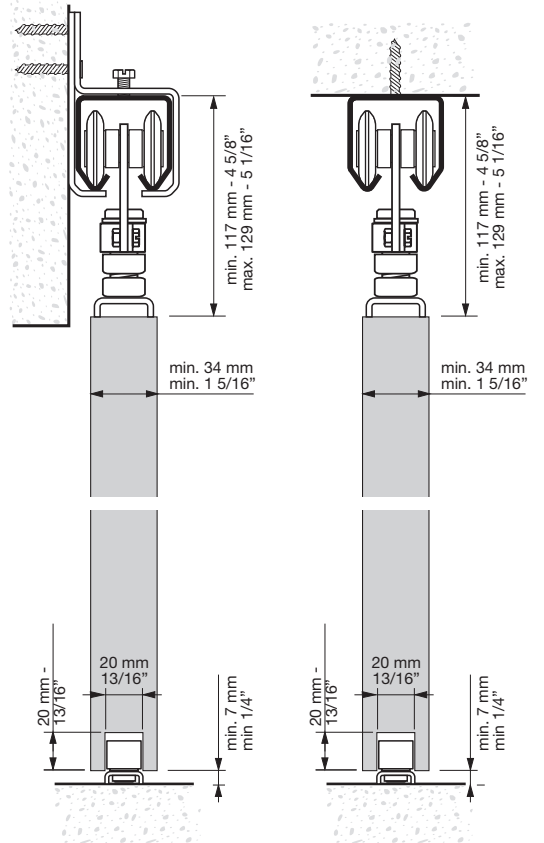
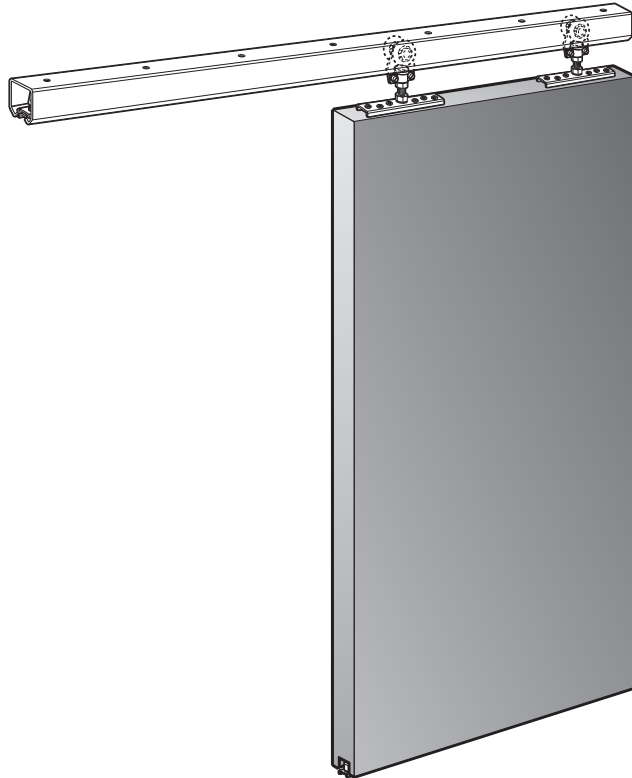
K 40



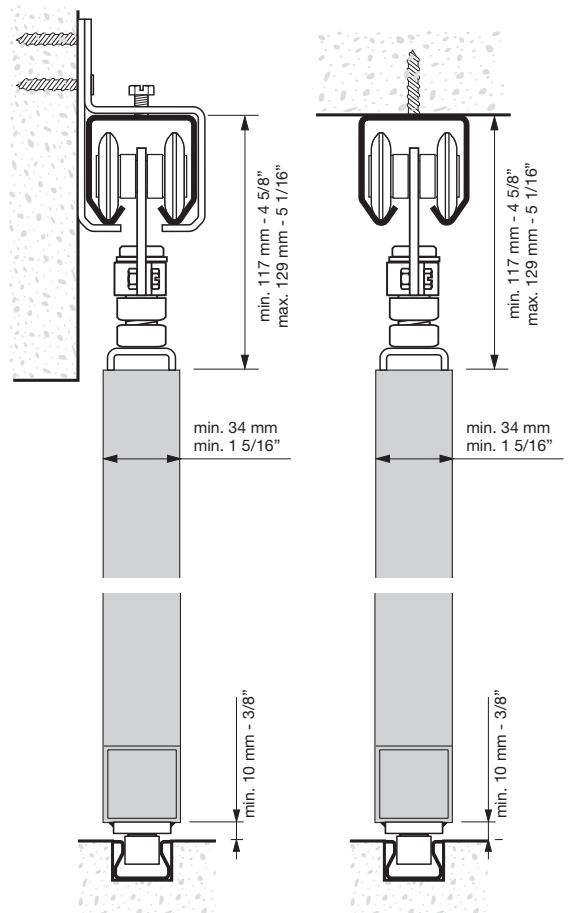
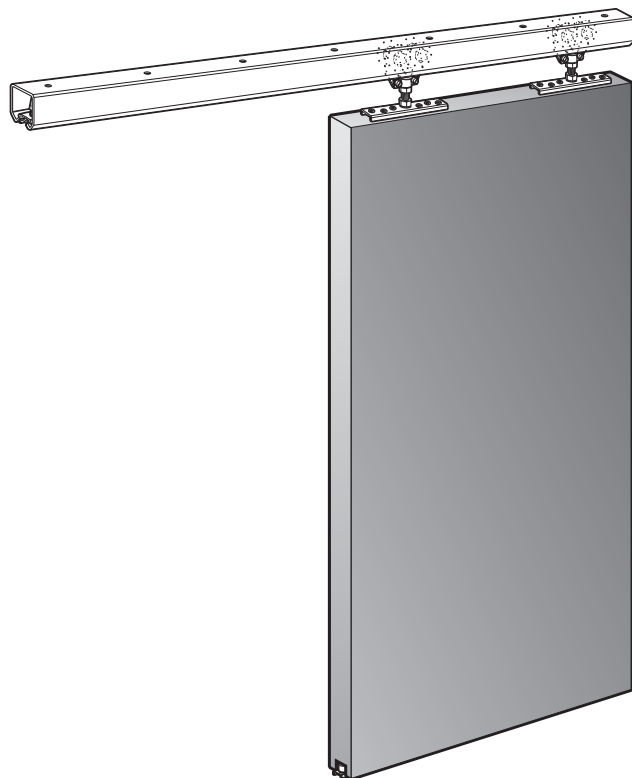
K 75



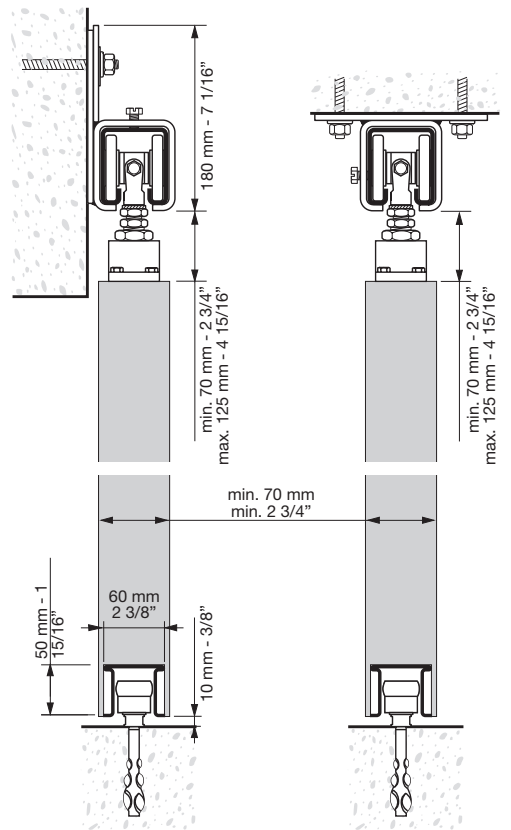
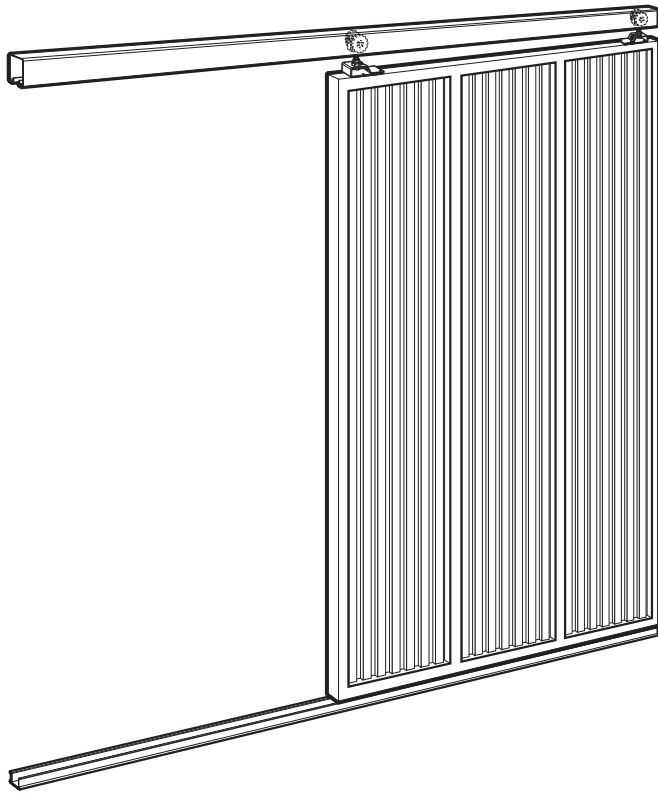
K 150



K 300



K 500



REFERENCIAS / REFERENCES / RÉFÉRENCES / REFERENZ

ESP

K 40/75			
Ref.	Descripción	U.	Img.
0841	PF. ACERO NEOCROM 1,50m	10	A
0842	PF. ACERO NEOCROM 2m	10	A
0844	PF. ACERO NEOCROM 3m	10	A
0850	PF. ACERO NEOCROM 5m	10	A
0871	PF. ACERO SENDZIMIR 1,50m	10	B
0872	PF. ACERO SENDZIMIR 2m	10	B
0873	PF. ACERO SENDZIMIR 3m	10	B
0859	PF. ACERO SENDZIMIR 5m	10	B
0877	PF. ACERO SENDZIMIR 6m	10	B
0852	JGO. ACC. K40	10	G
0862	JGO. ACC. K75	10	H
0851	SOPORTE PARED	100	L

K 150/300			
Ref.	Descripción	U.	Img.
3619	PF. ACERO NEOCROM 3m	2	C
3624	PF. ACERO NEOCROM 4m	2	C
3628	PF. ACERO NEOCROM 5m	2	C
3629	PF. ACERO SENDZIMIR 5m	2	C
5502	JGO. ACC. K150	1	I
5501	JGO. ACC. K150	2	I
5602	JGO. ACC. K300	1	J
5601	JGO. ACC. K300	2	J
3370	PF. INF. ACERO NEOCROM 5m	1	D
3373	PF. INF. ACERO SENDZIMIR 5m	1	D
5521	SOPORTE PARED K	10	S

K 500			
Ref.	Descripción	U.	Img.
3825	PF. ACERO NEOCROM 5m	1	E
3807	JGO. ACC. K500	1	K
3879	GUIADOR INFERIOR K 500	1	M
3881	SOPORTE PARED K 500	1	N
3882	SOPORTE TECHO K 500	1	O
3885	EMPALME PF. K 500	1	P
3886	FRENO TOPE K 500	1	Q
3888	TOPE PUERTA K 500	1	R

ENG

K 40/75			
Ref.	Description	Units	Img.
0841	PF. STEEL NEOCROM 1'50m	10	A
0842	PF. STEEL NEOCROM 2m	10	A
0844	PF. STEEL NEOCROM 3m	10	A
0850	PF. STEEL NEOCROM 5m	10	A
0871	PF. STEEL SENDZIMIR 1'50m	10	B
0872	PF. STEEL SENDZIMIR 2m	10	B
0873	PF. STEEL SENDZIMIR 3m	10	B
0859	PF. STEEL SENDZIMIR 5m	10	B
0877	PF. STEEL SENDZIMIR 6m	10	B
0852	SET OF ACC. K40	10	G
0862	SET OF ACC. K75	10	H
0851	WALL BRACKET K40/K75	100	L

K 150/300			
Ref.	Description	Units	Img.
3619	PF. STEEL NEOCROM 3m	2	C
3624	PF. STEEL NEOCROM 4m	2	C
3628	PF. STEEL NEOCROM 5m	2	C
3629	PF. STEEL SENDZIMIR 5m	2	C
5502	SET OF ACC. K150	1	I
5501	SET OF ACC. K150	2	I
5602	SET OF ACC. K300	1	J
5601	SET OF ACC. K300	2	J
3370	BOTTOM PF. STEEL NEOCROM 5m	1	D
3373	BOTTOM PF. STEEL SENDZIMIR 5m	1	D
5521	WALL BRACKET K	10	S

K 500			
Ref.	Description	Units	Img.
3825	PF. STEEL NEOCROM 5,00m	1	E
3807	SET OF ACC. K500	1	K
3879	BOTTOM GUIDE K500 FIXED ON FLOOR	1	M
3881	WALL BRACKET K500	1	N
3882	CEILING BRACKET K500	1	O
3885	PROFILE JOINT FOR K500	1	P
3886	STOPPER K500	1	Q
3888	DOUBLE END STOPPER K500	1	R

REFERENCIAS / REFERENCES / RÉFÉRENCES / REFERENZ

FRA

K 40/75			
Ref.	Description	Unités	Img.
0841	TK STEEL NEOCROM 1'50m	10	A
0842	TK STEEL NEOCROM 2m	10	A
0844	TK STEEL NEOCROM 3m	10	A
0850	TK STEEL NEOCROM 5m	10	A
0871	TK STEEL SENDZIMIR 1,50m	10	B
0872	TK STEEL SENDZIMIR 2m	10	B
0873	TK STEEL SENDZIMIR 3m	10	B
0859	TK STEEL SENDZIMIR 5m	10	B
0877	TK STEEL SENDZIMIR 6m	10	B
0852	SET OF ACC. K40	10	G
0862	SET OF ACC. K75	10	H
0851	WALL BRACKET K40/K75	100	L

K 150/300			
Ref.	Description	Unités	Img.
3619	RAIL ACIER NEOCROM 3m	2	C
3624	RAIL ACIER NEOCROM 4m	2	C
3628	RAIL ACIER NEOCROM 5m	2	C
3629	RAIL ACIER SENDZIMIR 5m	2	C
5502	JEU ACC. K150	1	I
5501	JEU ACC. K150	2	I
5602	JEU ACC. K300	1	J
5601	JEU ACC. K300	2	J
3370	RAIL INF. ACIER NEOCROM 5m	1	D
3373	RAIL INF. ACIER SENDZIMIR 5m	1	D
5521	SUPPORT MURAL K	10	S

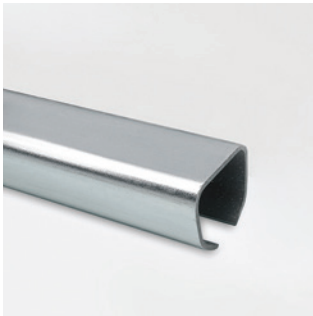
K 500			
Ref.	Description	Unités	Img.
3825	RAIL ACIER NEOCROM 5m	1	E
3807	JEU ACC. K500	1	K
3879	GUIDE INFÉRIEUR K500	1	M
3881	SUPPORT MURAL K500	1	N
3882	SUPPORT PLAFOND K500	1	O
3885	CONNEXION RAIL K500	1	P
3886	FREIN-BUTOIR K500	1	Q
3888	BUTOIR PORTE K500	1	R

DEU

K 40/75			
Ref.	Beschreibung	Ein.	Bild
0841	PF. STAHL NEOCHROM 1'50m	10	A
0842	PF. STAHL NEOCHROM 2m	10	A
0844	PF. STAHL NEOCHROM 3m	10	A
0850	PF. STAHL NEOCHROM 5m	10	A
0871	PF. STAHL SENDZIMIR 1'50m	10	B
0872	PF. STAHL SENDZIMIR 2m	10	B
0873	PF. STAHL SENDZIMIR 3m	10	B
0859	PF. STAHL SENDZIMIR 5m	10	B
0877	PF. STAHL SENDZIMIR 6m	10	B
0852	ZUBEHÖRSET K40	10	G
0862	ZUBEHÖRSET K75	10	H
0851	WANDBEFESTIGUNG	100	L

K 150/300			
Ref.	Beschreibung	Ein.	Bild
3619	PF. STAHL NEOCHROM 3m	2	C
3624	PF. STAHL NEOCHROM 4m	2	C
3628	PF. STAHL NEOCHROM 5m	2	C
3629	PF. STAHL SENDZIMIR 5m	2	C
5502	ZUBEHÖRSET K150	1	I
5501	ZUBEHÖRSET K150	2	I
5602	ZUBEHÖRSET K300	1	J
5601	ZUBEHÖRSET K300	2	J
3370	UNTERES PF. STAHL NEOCHROM 5m	1	D
3373	UNTERES PF. STAHL SENDZIMIR 5m	1	D
5521	WANDBEFESTIGUNG K	10	S

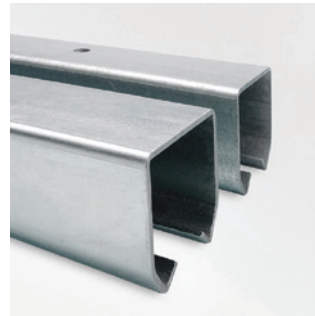
K 500			
Ref.	Beschreibung	Ein.	Bild
3825	PF. STAHL NEOCHROM 5m	1	E
3807	ZUBEHÖRSET K500	1	K
3879	UNTERE FÜHRUNG K500	1	M
3881	WANDBEFESTIGUNG K500	1	N
3882	DECKENHALTERUNG K500	1	O
3885	VERBINDUNGSTEIL PROFIL K500	1	P
3886	BREMSE-ANSCHLAG K500	1	Q
3888	TÜRANSCHLAG K500	1	R



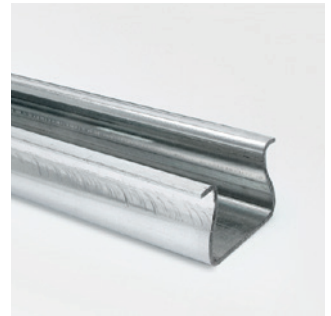
A



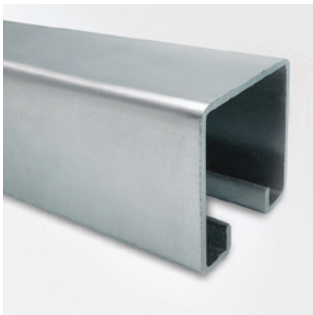
B



C



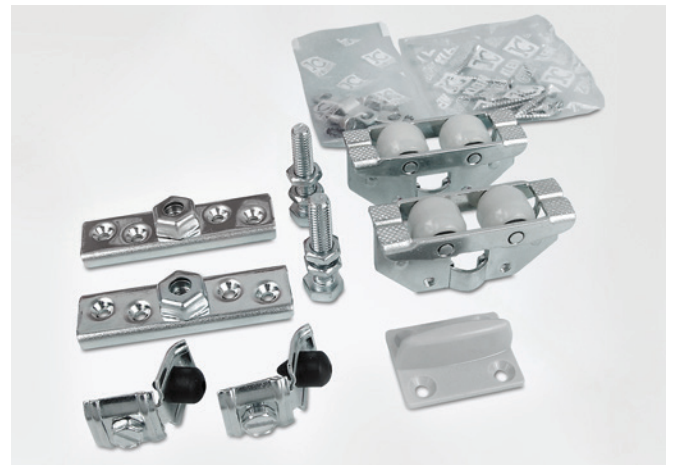
D



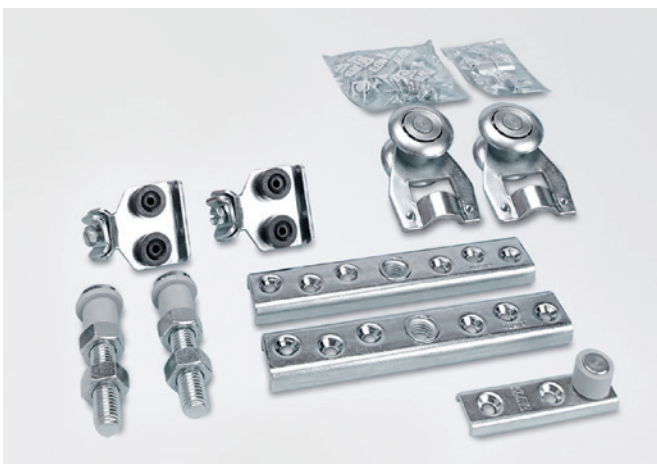
E



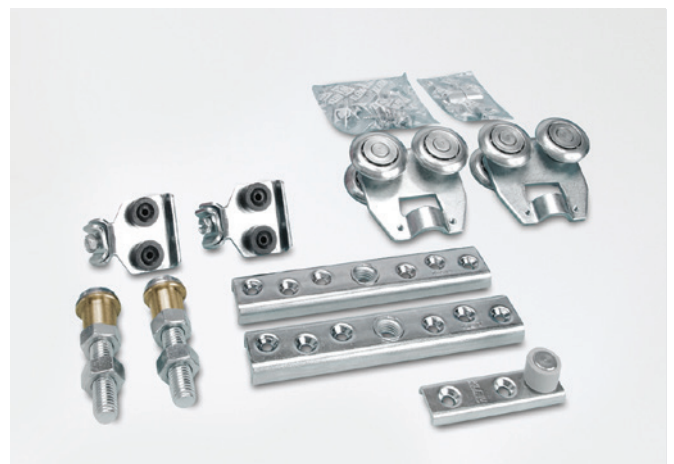
G



H



I



J

REFERENCIAS / REFERENCES / RÉFÉRENCES / REFERENZ



K



L



M



N



O



P



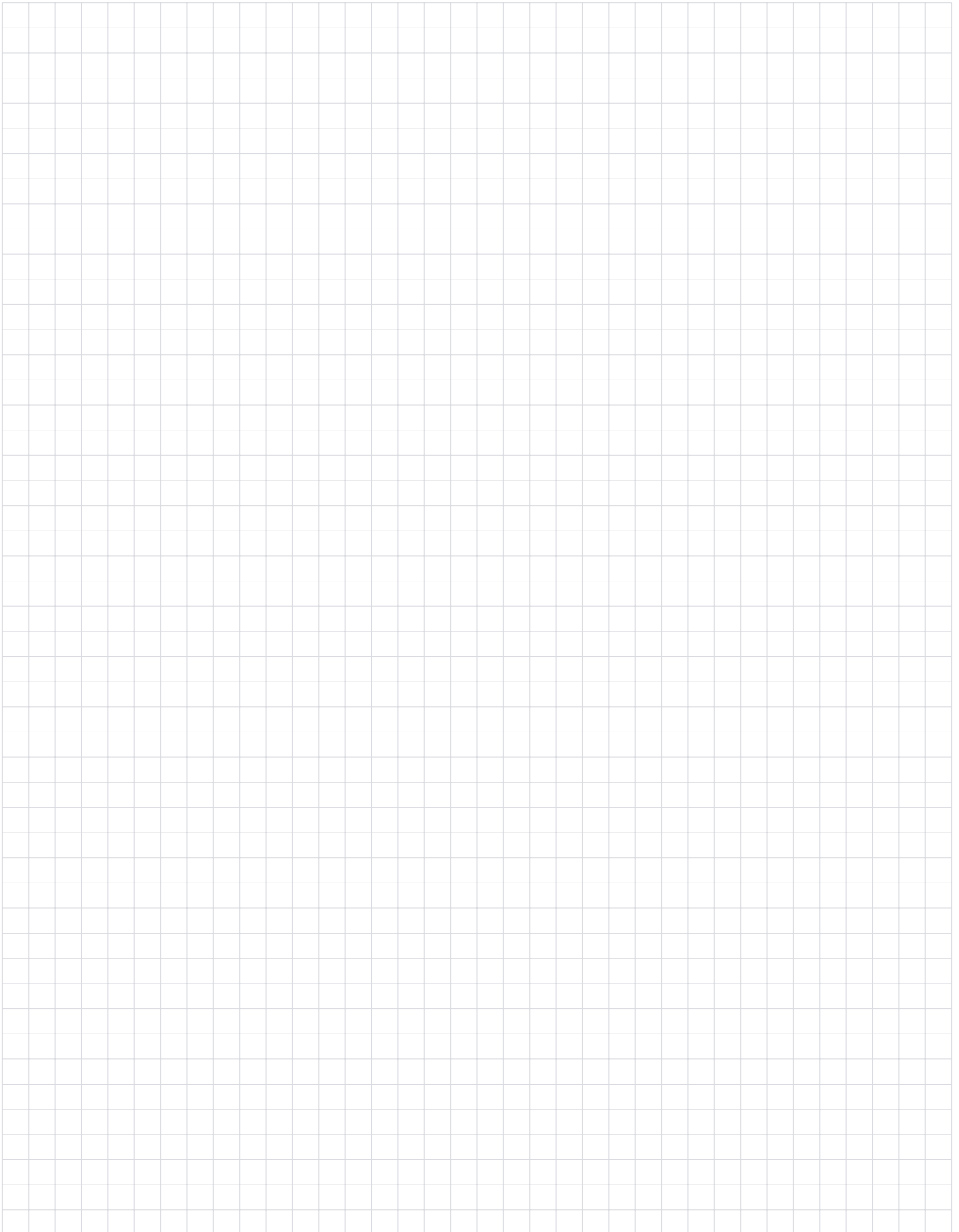
Q



R



S



KLEIN®

KLEIN EUROPE
Edificio KLEIN
Polígono Industrial Can Cuyás
N-150 Km. 1
08110 Montcada i Reixac
Barcelona (Spain)

Tel.: +34 935 760 101
Fax: +34 935 760 109

+Info
klein@klein.es
www.klein.es

Síguenos en redes
Follow us on social media

